

VARIABOX short catalogue

International Edition



Wolf International Trading
Office: +51 1 640 9862 | Mobile: +51 943304479
Trujillo: Juan de Cuéllar R 8 Urb. Miraflores
Lima: La Perla Mz. G Lt. 8 Las Moreras, Callao
info@Wolfit.com.pe



Simply. Well. Connected.

Technical data VARIABOX

Sizes

Version	Dimensions (H x W x D)
VARIABOX-S	130 x 230 x 145 mm
VARIABOX-M	260 x 230 x 145 mm
VARIABOX-L	390 x 230 x 145 mm
VARIABOX-XL	520 x 230 x 145 mm
VARIABOX-XXL	650 x 230 x 145 mm
VARIABOX-L DUO	390 x 460 x 145 mm
VARIABOX-XL DUO	520 x 460 x 145 mm
	Further modular extension possible

Colours

Top - grey (standard) RAL 7035
 Top - yellow, available as of 5 units
 Top - blue, available as of 5 units
 Top - red, available as of 5 units
 Top - silver, available as of 5 units
 Bottom black RAL 9005

Shape

Cover straight,
 CEE sockets angled

Material

PBT polyester

Material properties

Self-extinguishing, heat-resistant, extremely cold-resistant, resistant to ageing, saltwater-resistant, good electric insulation properties, fracture-proof, wear-resistant, abrasion-resistant, dimensionally stable

Durable

High chemical resistance, UV-stabilised, suitable for use in hostile environments

Impact resistance

IK09

Thermal resistance

DIN EN 61439/ VDE 0660-600

Ageing resistant

Long-term testing at +80 degrees

Glow wire test

In accordance with DIN EN60695

Protection

Top can be lead-sealed to bottom, OTC window can be lead-sealed

Wall mounting

Either internal or external fastening

Cover attachment

Hinged on right, can be hinged on left on request

Cover screws

Captive, with internal and external hexagon, including slot, torque 2 Nm

Cable entry

Face plates pre-punched at top and bottom each with M12, M20, M25/M32/ M40

Attachments

User-friendly OTC mechanism (One Touch Close), CEE sockets 16A to 63A with maintenance-free QUICK-CONNECT technology, data sockets, inter-compatibility of mounted sockets, optionally available with handle

Protection class

IP44, IP54, IP67

Environment

PVC-free, cadmium-free, halogen-free and silicone-free



- Proper and clearly arranged wiring and an automated safety test guarantee maximum safety
- With their generous cable bushings, modularly connected VARIABOX systems can be internally connected to one another even when using large cable cross sections



- The new operating window with the unique OTC mechanism (One Touch Close) engages in the open state and automatically closes and locks again when touched lightly
- The housing sections and the OTC operating windows can all be lead-sealed
- Either internal or external fastening



- All panel mounting sockets with maintenance-free QUICK-CONNECT technology
- Intercompatibility of sockets with flange dimensions 50 x 50 mm, 75 x 75 mm and 85 x 85 mm



- The metric cable entries in the face plates at the top and bottom are pre-punched and can be broken out as required without problem. An overview of the housing sizes and cable entries can be found on page 4.

The standard for variable and safe distributor housings

One for all: the new VARIABOX from Bals meets all requirements for a modern distributor housing and can be individually configured in five different sizes. With versions S, M, L, XL and XXL as surface-mounting or mobile combination, every user can find the suitable distributor with the same design. Configuration according to individual specifications on the basis of predefined, encoded flange plates, which offer a maximum level of safety during the initial installation and/or maintenance. With its robust design in a high-grade and durable quality plastic, its good seal, the modular expansion options and many innovative extra features, the new VARIABOX proves itself even under the most adverse conditions.



Contents

Dimensioned drawings

Page 4



VARIABOX-S

Page 5



VARIABOX-M

Page 6 - 12



VARIABOX-L

Page 13 - 17



VARIABOX-XL

Page 18-21



VARIABOX-XXL

Page 22 - 24



VARIABOX-L DUO

Page 25



VARIABOX IP67

Page 26 - 29



VARIABOX-Plus

Page 30 - 32



VARIABOX Mobil

Page 33, 34



VARIABOX Accessories

Page 35-36



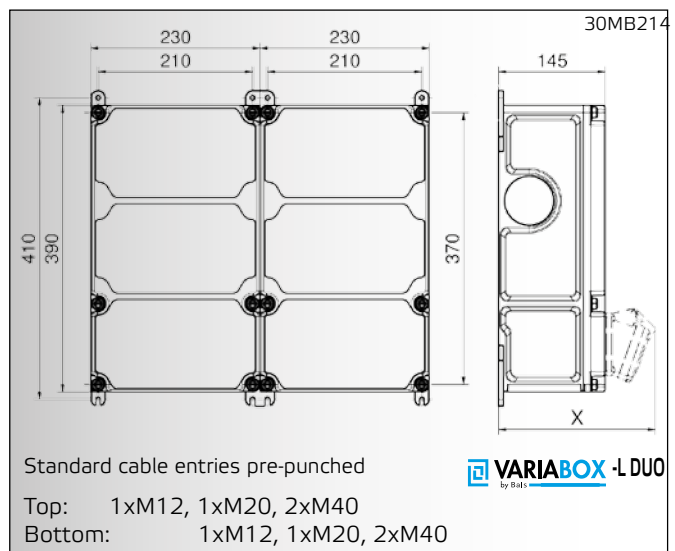
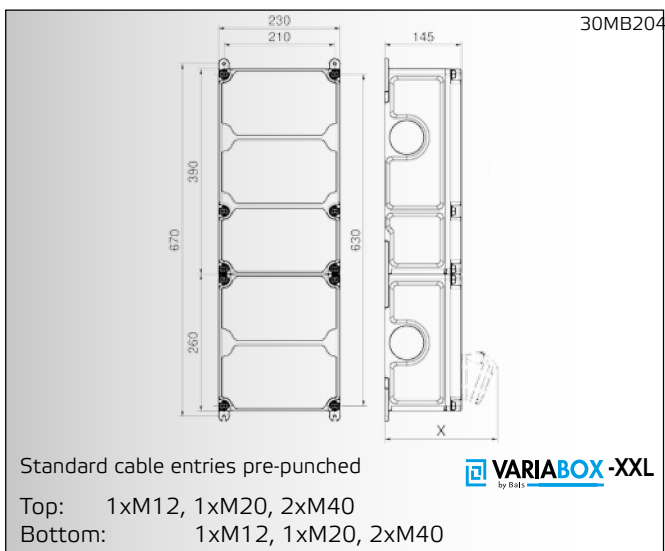
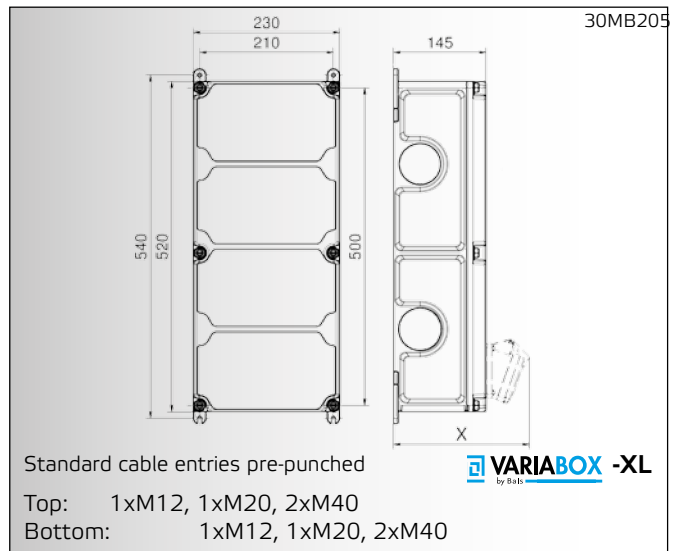
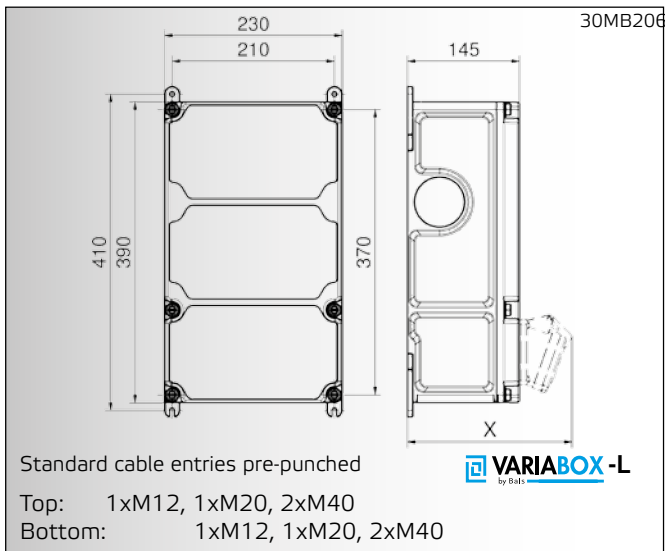
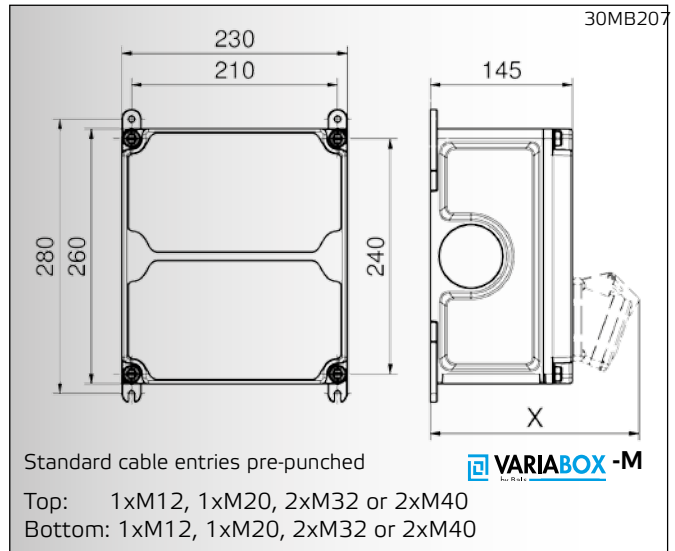
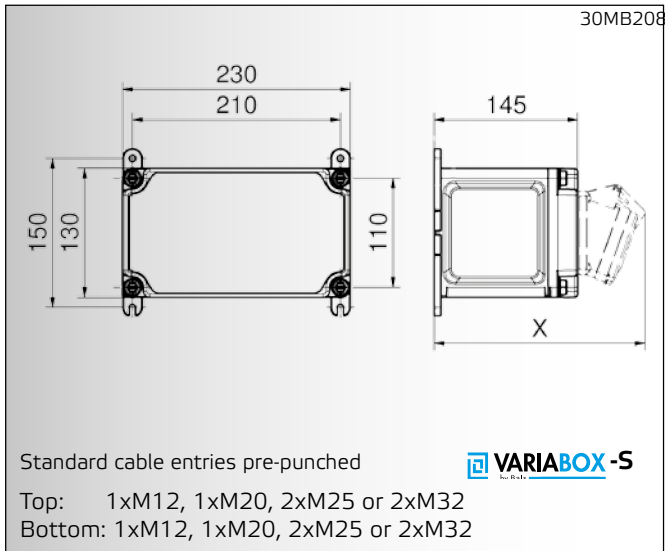
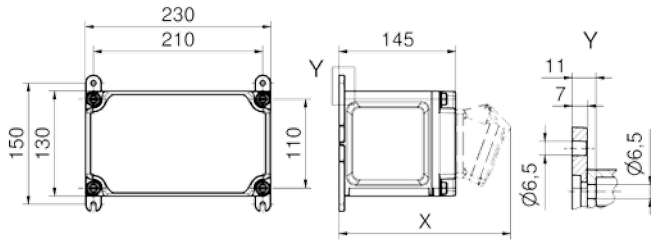


Table X-dimension

Compo- nents	Oper. win- dow	Schuko-type socket		CEE 16A 3-pole		CEE 16A 4-pole		CEE 16A 5-pole		CEE 32A, 3/4- pole		CEE 32A 5-pole		CEE 63A	
		IP44	IP67	IP44	IP67	IP44	IP67	IP44	IP67	IP44	IP67	IP44	IP67	IP44	IP67
Protection class															
Depth X	180	162	205	200	200	204	202	207	205	211	213	213	214	229	231

Technical change possible



- Dimension of housing: 130 x 230 mm
- Housing made of high-grade, impact-resistant plastic
- Top and bottom can be sealed together
- With external and internal fastening
- Permanently attached cover screws
- Top section straight, CEE sockets angled
- All CEE sockets with screwless, maintenance-free QUICK-CONNECT technology
- Colours: bottom - black, top - electro-grey (housing top optionally available in the colours yellow, red, blue or silver)
- Accessories: see page 161

Tiefenmaß X (in mm) 30 MB 208

Bezeichnung	IP44	IP67	Bezeichnung	IP44	IP67
OTC-Klappe	180	180	CEE 16A 5p	207	205
Schutzk.-Steckdose	162	205	CEE 32A 3p/4p	211	213
CEE 16A 3p	200	200	CEE 32A 5p	213	214
CEE 16A 4p	204	202	CEE 63A 3p/4p/5p	229	231



Order no. **89003**



Components:
3 schuko-type sockets 16A, 230V

Cable entry at top and bottom:
each with 1x M12, 1x M20, 2x M25

Connection option:
for 1 cable up to 5 x 6 mm²



Item
01



Order no. **89006**

Components:
4 schuko-type sockets 16A, 230V

Cable entry at top and bottom:
each with 1x M12, 1x M20, 2x M25

Connection option:
for 1 cable up to 5 x 6 mm²



Item
02



Order no. **89002**

Components:
1 schuko-type socket 16A, 230V
1 CEE socket 16A, 400V, 5p

Cable entry at top and bottom:
each with 1x M12, 1x M20, 2x M25

Connection option:
for 1 cable up to 5 x 6 mm²



Item
03



Order no. **89004**



Components:
2 schuko-type sockets 16A, 230V
1 CEE socket 16A, 400V, 5p

Cable entry at top and bottom:
each with 1x M12, 1x M20, 2x M25

Connection option:
for 1 cable up to 5 x 6 mm²



Item
04



Order no. **89058**

Components:
2 schuko-type sockets 16A, 230V
1 CEE socket 32A, 400V, 5p

Cable entry at top and bottom:
each with 1x M25, 1x M32

Connection option:
for 1 cable up to 3 x 4 mm² and
1 cable up to 5 x 6 mm²



Item
05



Order no. **89000**

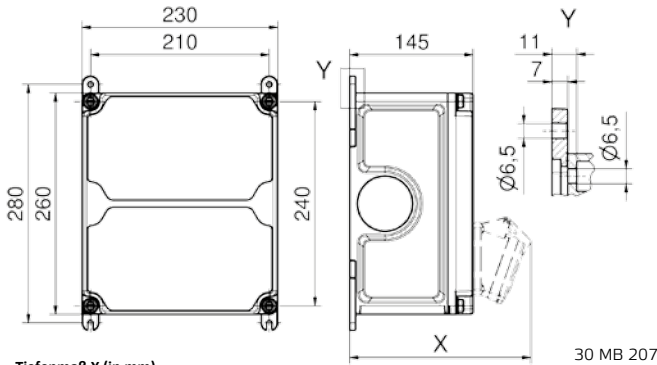
Components:
2 CEE sockets 16A, 400V, 5p

Cable entry at top and bottom:
each with 1x M12, 1x M20, 2x M25

Connection option:
for 1 cable up to 5 x 6 mm²



Item
06



Tiefenmaß X (in mm)

Bezeichnung	IP44	IP67	Bezeichnung	IP44	IP67
OTC-Klappe	180	180	CEE 16A 5p	207	205
Schutzk.-Steckdose	162	205	CEE 32A 3p/4p	211	213
CEE 16A 3p	200	200	CEE 32A 5p	213	214
CEE 16A 4p	204	202	CEE 63A 3p/4p/5p	229	231

- Dimension of housing: 260 x 230 mm
- Housing made of high-grade, impact-resistant plastic
- Hinged lid
- Top and bottom can be sealed together
- With external and internal fastening
- User-friendly OTC operating window
- Permanently attached cover screws
- Coded flange plate system for maximum safety during initial installation and maintenance
- Top section straight, CEE sockets angled
- All CEE sockets with screwless, maintenance-free QUICK-CONNECT technology
- Colours: bottom - black, top - electro-grey (housing top optionally available in the colours yellow, red, blue or silver)
- Accessories: see page 161



Order no. **89054**

Components:

2 schuko-type sockets 16A, 230V

Fuse:

2 Neozed D01, 1p

Cable entry at top and bottom:

each with 1x M12, 1x M20, 2x M25

Connection option:

for 1 cable up to 3 x 4 mm²



Item
01



Order no. **89055**

Components:

2 schuko-type sockets 16A, 230V

Fuse:

2 C-type MCBs 16A, 1p

Cable entry at top and bottom:

each with 1x M12, 1x M20, 2x M25

Connection option:

for 1 cable up to 3 x 4 mm²



Item
02



Order no. **89009**



Components:

2 schuko-type sockets 16A, 230V

Fuse:

1 RCCB 25/0.03A, 2p

Cable entry at top and bottom:

each with 1x M12, 1x M20, 2x M25

Connection option:

for 1 cable up to 3 x 10 mm²



Item
03



Order no. **89057**



Components:

2 schuko-type sockets 16A, 230V

Fuse:

2 C-type MCBs 16A, 1p
1 RCCB 25/0.03A, 2p

Cable entry at top and bottom:

each with 1x M12, 1x M20, 2x M25

Connection option:

for 1 cable up to 3 x 6 mm²



Item
04



Order no. **89032**

Components:

3 schuko-type sockets 16A, 230V

Fuse:

3 Neozed D01, 1p

Cable entry at top and bottom:

each with 1x M12, 1x M20, 2x M32

Connection option:

for 2 cables up to 5 x 25 mm²



Item
05



Order no. **89031**

Components:

3 schuko-type sockets 16A, 230V

Fuse:

3 C-type MCBs 16A, 1p

Cable entry at top and bottom:

each with 1x M12, 1x M20, 2 x M32

Connection option:

for 2 cables up to 5 x 25 mm²



Item
06

VARIABOX -M

Order no. **89033**



Components:
4 schuko-type sockets 16A, 230V

Fuse:
2 C-type MCBs 16A, 1p
1 RCCB 40/0.03A, 4p

Cable entry at top and bottom:
each with 1x M12, 1x M20, 2x M32

Connection option:
for 2 cables up to 5 x 25 mm²



Item
01

VARIABOX -M

Order no. **890400**

Components:
3 schuko-type sockets 16A, 230V
1 double data socket RJ45 CAT 6 IP55

Fuse:
3 C-type MCBs 16A, 1p
1 RCCB 40/0.03A, 4p

Cable entry at top and bottom:
each with 2x M20, 2x M32

Connection option:
for 2 cables up to 5 x 25 mm²



Item
02

VARIABOX -M

Order no. **89033**

Components:
4 schuko-type sockets 16A, 230V

Fuse:
2 C-type MCBs 16A, 1p
1 RCCB 40/0.03A, 4p

Cable entry at top and bottom:
each with 1x M12, 1x M20, 2x M32

Connection option:
for 2 cables up to 5 x 25 mm²



Item
03

VARIABOX -M

Order no. **89034**

Components:
4 schuko-type sockets 16A, 230V

Fuse:
4 C-type MCBs 16A, 1p

Cable entry at top and bottom:
each with 1x M12, 1x M20, 2x M32

Connection option:
for 2 cables up to 5 x 25 mm²



Item
04

VARIABOX -M

Order no. **89033**

Components:
4 schuko-type sockets 16A, 230V

Fuse:
2 C-type MCBs 16A, 1p
1 RCCB 40/0.03A, 4p

Cable entry at top and bottom:
each with 1x M12, 1x M20, 2x M32

Connection option:
for 2 cables up to 5 x 25 mm²



Item
05

VARIABOX -M

Order no. **89040**

Components:
4 schuko-type sockets 16A, 230V

Fuse:
4 C-type MCBs 16A, 1p
1 RCCB 40/0.03A, 4p

Cable entry at top and bottom:
each with 1x M12, 1x M20, 2x M32

Connection option:
for 2 cables up to 5 x 25 mm²



Item
06

VARIABOX -M

Order no. **89036**

Components:
6 schuko-type sockets 16A, 230V

Cable entry at top and bottom:
each with 1x M12, 1x M20, 2x M25

Connection option:
for 1 cable 5 x 6 mm²



Item
07

VARIABOX -M

Order no. **89037**

Components:
8 schuko-type sockets 16A, 230V

Cable entry at top and bottom:
each with 1x M12, 1x M20, 2x M25

Connection option:
for 1 cable 5 x 6 mm²



Item
08

VARIABOX -M

Order no. **89051**

Components:
1 schuko-type socket 16A, 230V
1 CEE socket 16A, 400V, 5p

Fuse:
1 Neozed D01, 1p

Cable entry at top and bottom:
each with 1x M12, 1x M20, 2x M32

Connection option:
for 1 cable 5 x 6 mm²



Item
01

VARIABOX -M

Order no. **89041**

Components:
1 schuko-type socket 16A, 230V
1 CEE socket 16A, 400V, 5p

Fuse:
1 Neozed D01, 1p
1 Neozed D01, 3p

Cable entry at top and bottom:
each with 1x M12, 1x M20, 2x M32

Connection option:
for 2 cables up to 5 x 25 mm²



Item
02

VARIABOX -M

Order no. **89007**

Components:
1 schuko-type socket 16A, 230V
1 CEE socket 16A, 400V, 5p

Fuse:
1 C-type MCB 16A, 1p

Cable entry at top and bottom:
each with 1x M12, 1x M20, 2x M32

Connection option:
for 1 cable 5 x 6 mm²



Item
03

VARIABOX -M

Order no. **89043**

Components:
1 schuko-type socket 16A, 230V
1 CEE socket 16A, 400V, 5p

Fuse:
1 C-type MCB 16A, 1p
1 C-type MCB 16A, 3p

Cable entry at top and bottom:
each with 1x M12, 1x M20, 2x M32

Connection option:
for 2 cables up to 5 x 25 mm²



Item
04

VARIABOX -M

Order no. **89052**

Components:
1 schuko-type socket 16A, 230V
1 CEE socket 16A, 400V, 5p

Fuse:
1 RCCB 40/0.03A, 4p

Cable entry at top and bottom:
each with 1x M12, 1x M20, 2x M25

Connection option:
for 1 cable 5 x 6 mm²



Item
05

VARIABOX -M

Order no. **89025**

Components:
1 schuko-type socket 16A, 230V
1 CEE socket 16A, 400V, 5p

Fuse:
1 Neozed D01, 1p
1 Neozed D01, 3p
1 RCCB 40/0.03A, 4p

Cable entry at top and bottom:
each with 1x M12, 1x M20, 2x M40

Connection option:
for 2 cables up to 5 x 25 mm²



Item
06

VARIABOX -M

Order no. **89053**

Components:
1 schuko-type socket 16A, 230V
1 CEE socket 16A, 400V, 5p

Fuse:
1 C-type MCB 16A, 1p
1 RCCB 40/0.03A, 4p

Cable entry at top and bottom:
each with 1x M12, 1x M20, 2x M32

Connection option:
for 2 cables up to 5 x 25 mm²



Item
07

VARIABOX -M

Order no. **89042**

Components:
1 schuko-type socket 16A, 230V
1 CEE socket 16A, 400V, 5p

Fuse:
1 C-type MCB 16A, 1p
1 C-type MCB 16A, 3p
1 RCCB 40/0.03A, 4p

Cable entry at top and bottom:
each with 1x M12, 1x M20, 2x M40

Connection option:
for 2 cables up to 5 x 25 mm²



Item
08

VARIABOX -M

Order no. **89147**

Components:
2 schuko-type sockets 16A, 230V
1 CEE socket 16A, 400V, 5p

Cable entry at top and bottom:
each with 1x M12, 1x M20, 2x M40

Connection option:
Pre-wired



Item
01

VARIABOX -M

Order no. **89012**

Components:
2 schuko-type sockets 16A, 230V
1 CEE socket 16A, 400V, 5p

Fuse:
1 Neozed D01, 1p
1 Neozed D01, 3p

Cable entry at top and bottom:
each with 1x M12, 1x M20, 2x M40

Connection option:
for 2 cables up to 5 x 25 mm²



Item
02

VARIABOX -M

Order no. **89044**

Ex warehouse

Components:
2 schuko-type sockets 16A, 230V
1 CEE socket 16A, 400V, 5p

Fuse:
2 Neozed D01, 1p
1 Neozed D01, 3p

Cable entry at top and bottom:
each with 1x M12, 1x M20, 2x M40

Connection option:
for 2 cables up to 5 x 25 mm²



Item
03

VARIABOX -M

Order no. **89011**

Ex warehouse

Components:
2 schuko-type sockets 16A, 230V
1 CEE socket 16A, 400V, 5p

Fuse:
2 C-type MCBs 16A, 1p
1 C-type MCB 16A, 3p

Cable entry at top and bottom:
each with 1x M12, 1x M20, 2x M40

Connection option:
for 2 cables up to 5 x 25 mm²



Item
04

VARIABOX -M

Order no. **89056**

Components:
2 schuko-type sockets 16A, 230V
1 CEE socket 16A, 400V, 5p

Fuse:
1 Neozed D01, 1p
1 Neozed D01, 3p
1 RCCB 40/0.03A, 4p

Cable entry at top and bottom:
each with 1x M12, 1x M20, 2x M40

Connection option:
for 2 cables up to 5 x 25 mm²



Item
05

VARIABOX -M

Order no. **89024**

Components:
2 schuko-type sockets 16A, 230V
1 CEE socket 16A, 400V, 5p

Fuse:
2 C-type MCBs 16A, 1p
1 RCCB 40/0.03A, 4p

Cable entry at top and bottom:
each with 1x M12, 1x M20, 2x M32

Connection option:
for 2 cables up to 5 x 25 mm²



Item
06

VARIABOX -M

Order no. **89010**

Ex warehouse

Components:
2 schuko-type sockets 16A, 230V
1 CEE socket 16A, 400V, 5p

Fuse:
2 C-type MCBs 16A, 1p
1 C-type MCB 16A, 3p
1 RCCB 40/0.03A, 4p

Cable entry at top and bottom:
each with 1x M12, 1x M20, 2x M40

Connection option:
for 2 cables up to 5 x 25 mm²



Item
07

VARIABOX -M

Order no. **89049**

Components:
1 schuko-type socket 16A, 230V
1 CEE socket 32A, 400V, 5p

Fuse:
1 Neozed D01, 1p

Cable entry at top and bottom:
each with 1x M12, 1x M20, 2x M32

Connection option:
for 1 cable 5 x 6 mm²



Item
08

VARIABOX -M

Order no. **89050**

Components:
1 schuko-type socket 16A, 230V
1 CEE socket 32A, 400V, 5p

Fuse:
1 Neozed D01, 1p
1 Neozed D02, 3p

Cable entry at top and bottom:
each with 1x M12, 1x M20, 2x M40

Connection option:
for 2 cables up to 5 x 25 mm²



Item
01

VARIABOX -M

Order no. **89008**

Components:
1 schuko-type socket 16A, 230V
1 CEE socket 32A, 400V, 5p

Fuse:
1 C-type MCB 16A, 1p

Cable entry at top and bottom:
each with 1x M12, 1x M20, 2x M32

Connection option:
for 1 cable 5 x 6 mm²



Item
02

VARIABOX -M

Order no. **89045**

Components:
1 schuko-type socket 16A, 230V
1 CEE socket 32A, 400V, 5p

Fuse:
1 C-type MCB 16A, 1p
1 C-type MCB 32A, 3p

Cable entry at top and bottom:
each with 1x M12, 1x M20, 2x M40

Connection option:
for 2 cables up to 5 x 25 mm²



Item
03

VARIABOX -M

Order no. **89046**

Components:
1 schuko-type socket 16A, 230V
1 CEE socket 32A, 400V, 5p

Fuse:
1 C-type MCB 16A, 1p
1 C-type MCB 32A, 3p
1 RCCB 40/0.03A, 4p

Cable entry at top and bottom:
each with 1x M12, 1x M20, 2x M40

Connection option:
for 2 cables up to 5 x 25 mm²



Item
04

VARIABOX -M

Order no. **89059**

Components:
2 schuko-type sockets 16A, 230V
1 CEE socket 32A, 400V, 5p

Fuse:
1 Neozed D01, 1p
1 Neozed D02, 3p

Cable entry at top and bottom:
each with 1x M12, 1x M20, 2x M40

Connection option:
for 2 cables up to 5 x 25 mm²



Item
05

VARIABOX -M

Order no. **89015**

Components:
2 schuko-type sockets 16A, 230V
1 CEE socket 32A, 400V, 5p

Fuse:
2 Neozed D01, 1p
1 Neozed D02, 3p

Cable entry at top and bottom:
each with 1x M12, 1x M20, 2x M40

Connection option:
for 2 cables up to 5 x 25 mm²



Item
06

VARIABOX -M

Order no. **89014**

Components:
2 schuko-type sockets 16A, 230V
1 CEE socket 32A, 400V, 5p

Fuse:
2 C-type MCBs 16A, 1p
1 C-type MCB 32A, 3p

Cable entry at top and bottom:
each with 1x M12, 1x M20, 2x M40

Connection option:
for 2 cables up to 5 x 25 mm²



Item
07

VARIABOX -M

Order no. **89027**

Components:
2 schuko-type sockets 16A, 230V
1 CEE socket 32A, 400V, 5p

Fuse:
1 Neozed D01, 1p
1 Neozed D02, 3p
1 RCCB 40/0.03A, 4p

Cable entry at top and bottom:
each with 1x M12, 1x M20, 2x M40

Connection option:
for 2 cables up to 5 x 25 mm²



Item
08



VARIABOX -M

Order no. **89026**

Components:
2 schuko-type sockets 16A, 230V
1 CEE socket 32A, 400V, 5p

Fuse:
2 C-type MCBs 16A, 1p
1 RCCB 40/0.03A, 4p

Cable entry at top and bottom:
each with 1x M12, 1x M20, 2x M32

Connection option:
for 2 cables up to 5 x 25 mm²



Item
01

VARIABOX -M

Order no. **89013**

Components:
2 schuko-type sockets 16A, 230V
1 CEE socket 32A, 400V, 5p

Fuse:
2 C-type MCBs 16A, 1p
1 C-type MCB 32A, 3p
1 RCCB 40/0.03A, 4p

Cable entry at top and bottom:
each with 1x M12, 1x M20, 2x M40

Connection option:
for 2 cables up to 5 x 25 mm²



Item
02

VARIABOX -M

Order no. **89019**

Components:
2 CEE sockets 16A, 400V, 5p

Fuse:
2 Neozed D01, 3p

Cable entry at top and bottom:
each with 1x M12, 1x M20, 2x M40

Connection option:
for 2 cables up to 5 x 25 mm²



Item
03

VARIABOX -M

Order no. **89018**

Components:
2 CEE sockets 16A, 400V, 5p

Fuse:
2 C-type MCBs 16A, 3p

Cable entry at top and bottom:
each with 1x M12, 1x M20, 2x M40

Connection option:
for 2 cables up to 5 x 25 mm²



Item
04

VARIABOX -M

Order no. **89017**

Components:
2 CEE sockets 16A, 400V, 5p

Fuse:
2 C-type MCBs 16A, 3p
1 RCCB 40/0.03A, 4p

Cable entry at top and bottom:
each with 1x M12, 1x M20, 2x M40

Connection option:
for 2 cables up to 5 x 25 mm²



Item
05

VARIABOX -M

Order no. **89028**

Components:
2 schuko-type sockets 16A, 230V
2 CEE sockets 16A, 400V, 5p

Cable entry at top and bottom:
each with 1x M12, 1x M20, 2x M25

Connection option:
for 1 cable 3 x 4 mm² and
1 cable 5 x 4 mm²



Item
06

VARIABOX -M

Order no. **89038**

Components:
5 schuko-type sockets 16A, 230V
1 CEE socket 16A, 400V, 5p

Cable entry at top and bottom:
each with 1x M12, 1x M20, 2x M25

Connection option:
for 1 cable up to 5 x 6 mm²



Item
07

VARIABOX -M

Order no. **89022**

Components:
1 CEE socket 16A, 400V, 5p
1 CEE socket 32A, 400V, 5p

Fuse:
1 Neozed D01, 3p
1 Neozed D02, 3p

Cable entry at top and bottom:
each with 1x M12, 1x M20, 2x M40

Connection option:
for 2 cables up to 5 x 25 mm²



Item
08

VARIABOX -M

Order no. **89021**

Components:
1 CEE socket 16A, 400V, 5p
1 CEE socket 32A, 400V, 5p

Fuse:
1 C-type MCB 16A, 3p
1 C-type MCB 32A, 3p

Cable entry at top and bottom:
each with 1x M12, 1x M20, 2x M40

Connection option:
for 2 cables up to 5 x 25 mm²



Item
01

VARIABOX -M

Order no. **89048**

Components:
1 CEE socket 16A, 400V, 5p
1 CEE socket 32A, 400V, 5p

Fuse:
1 C-type MCB 16A, 3p
1 C-type MCB 32A, 3p
1 RCCB 40/0.03A, 4p

Cable entry at top and bottom:
each with 1x M12, 1x M20, 2x M40

Connection option:
for 2 cables up to 5 x 25 mm²



Item
02

VARIABOX -M

Order no. **89029**

Components:
2 schuko-type sockets 16A, 230V
1 CEE socket 16A, 400V, 5p
1 CEE socket 32A, 400V, 5p

Cable entry at top and bottom:
each with 1x M25, 1x M32

Connection option:
for 2 cables up to 5 x 10 mm²



Item
03

VARIABOX -M

Order no. **89039**

Components:
3 schuko-type sockets 16A, 230V
1 CEE socket 16A, 400V, 5p
1 CEE socket 32A, 400V, 5p

Cable entry at top and bottom:
each with 2x M25, 1x M32

Connection option:
for 2 cables up to 5 x 4 mm² and
1 cable 5 x 6 mm²



Item
04

VARIABOX -M

Order no. **89023**

Components:
2 CEE sockets 32A, 400V, 5p

Fuse:
2 Neozed D02, 3p

Cable entry at top and bottom:
each with 1x M12, 1x M20, 2x M40

Connection option:
for 2 cables up to 5 x 25 mm²



Item
05

VARIABOX -M

Order no. **89047**

Components:
2 CEE sockets 32A, 400V, 5p

Fuse:
2 C-type MCBs 32A, 3p

Cable entry at top and bottom:
each with 1x M12, 1x M20, 2x M40

Connection option:
for 2 cables up to 5 x 25 mm²



Item
06

VARIABOX -M

Order no. **890011**

Components:
2 CEE sockets 32A, 400V, 5p

Fuse:
2 C-type MCBs 32A, 3p
1 RCCB 63/0.03A, 4p

Cable entry at top and bottom:
each with 1x M12, 1x M20, 2x M40

Connection option:
for 2 cables up to 5 x 25 mm²



Item
07

VARIABOX -M

Order no. **89030**

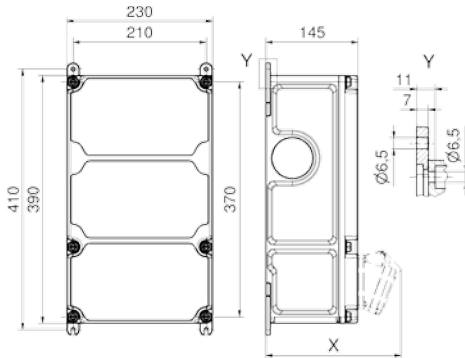
Components:
2 schuko-type sockets 16A, 230V
2 CEE sockets 32A, 400V, 5p

Cable entry at top and bottom:
each with 1x M25, 1x M32

Connection option:
for 1 cable 3 x 6 mm² and
1 cable 5 x 10 mm²



Item
08



Tiefenmaß X (in mm)

30 MB 206

Bezeichnung	IP44	IP67	Bezeichnung	IP44	IP67
OTC-Klappe	180	180	CEE 16A 5p	207	205
Schutzk.-Steckdose	162	205	CEE 32A 3p/4p	211	213
CEE 16A 3p	200	200	CEE 32A 5p	213	214
CEE 16A 4p	204	202	CEE 63A 3p/4p/5p	229	231

- Dimension of housing: 390 x 230 mm
- Housing made of high-grade, impact-resistant plastic
- Hinged lid
- Top and bottom can be sealed together
- With external and internal fastening
- User-friendly OTC operating window
- Permanently attached cover screws
- Coded flange plate system for maximum safety during initial installation and maintenance
- Top section straight, CEE sockets angled
- All CEE sockets with screwless, maintenance-free QUICK-CONNECT technology
- Colours: bottom - black, top - electro-grey
(housing top optionally available in the colours yellow, red, blue or silver)
- Accessories: see page 161



Order no. **890084**



Components:

4 schuko-type sockets 16A, 230V
1 double data socket RJ45 CAT6 IP55

Fuse:

4 C-type MCBs 16A, 1p
1 RCCB 40/0.03A, 4p

Cable entry at top and bottom:

each with 2x M20, 2x M32

Connection option:

for 1 cable up to 5 x 6 mm²

Item
01



Order no. **89064**



Components:

5 schuko-type sockets 16A, 230V

Fuse:

5 C-type MCB 16A, 1p
1 RCCB 40/0.03A, 4p

Cable entry at top and bottom:

each with 1x M12, 1x M20, 2x M40

Connection option:

for 2 cables up to 5 x 25 mm²

Item
02



Order no. **89084**



Components:

6 schuko-type sockets 16A, 230V

Fuse:

6 C-type MCBs 16A, 1p
1 RCCB 40/0.03A, 4p

Cable entry at top and bottom:

each with 1x M12, 1x M20, 2x M40

Connection option:

for 2 cables up to 5 x 25 mm²

Item
03



Order no. **89062**



Components:

2 schuko-type sockets 16A, 230V
1 CEE socket 16A, 400V, 5p

Fuse:

2 Neozed D01, 1p
1 Neozed D01, 3p
1 RCCB 40/0.03A, 4p

Cable entry at top and bottom:

each with 1x M12, 1x M20, 2x M40

Connection option:

for 2 cables up to 5 x 25 mm²

Item
04



Order no. **890275**



Components:

2 schuko-type sockets 16A, 230V
1 CEE socket 16A, 400V, 5p
1 double data socket RJ45 CAT6 IP55

Fuse:

2 C-type MCBs 16A, 1p
1 C-type MCB 16A, 3p
1 RCCB 40/0.03A, 4p

Cable entry at top and bottom:

each with 2x M20, 2x M40

Connection option:

for 2 cables up to 5 x 25 mm²

Item
05



Order no. **890242**



Components:

3 schuko-type sockets 16A, 230V
1 CEE socket 16A, 400V, 5p
1 double data socket RJ45 CAT6 IP55

Fuse:

3 C-type MCBs 16A, 1p
1 C-type MCB 16A, 3p
1 RCCB 40/0.03A, 4p

Cable entry at top and bottom:

each with 2x M20, 2x M40

Connection option:

for 2 cables up to 5 x 25 mm²

Item
06

VARIABOX-L

Order no. **89082**

Components:
4 schuko-type sockets 16A, 230V
1 CEE socket 16A, 400V, 5p

Fuse:
4 C-type MCBs 16A, 1p
1 C-type MCB 16A, 3p
1 RCCB 40/0.03A, 4p

Cable entry at top and bottom:
each with 1x M12, 1x M20, 2x M40

Connection option:
for 2 cables up to 5 x 25 mm²



Item
01

VARIABOX-L

Order no. **89063**

Components:
2 schuko-type sockets 16A, 230V
1 CEE socket 32A, 400V, 5p

Fuse:
2 Neozed D01, 1p
1 Neozed D02, 3p
1 RCCB 40/0.03A, 4p

Cable entry at top and bottom:
each with 1x M12, 1x M20, 2x M40

Connection option:
for 2 cables up to 5 x 25 mm²



Item
02

VARIABOX-L

Order no. **890278**

Components:
2 schuko-type sockets 16A, 230V
1 CEE socket 32A, 400V, 5p
1 double data socket RJ45 CAT6 IP55

Fuse:
2 C-type MCBs 16A, 1p
1 C-type MCB 32A, 3p
1 RCCB 40/0.03A, 4p

Cable entry at top and bottom:
each with 2x M20, 2x M40

Connection option:
for 2 cables up to 5 x 25 mm²



Item
03

VARIABOX-L

Order no. **89088**

Components:
4 schuko-type sockets 16A, 230V
1 CEE socket 32A, 400V, 5p

Fuse:
2 C-type MCBs 16A, 1p
1 C-type MCB 32A, 3p
1 RCCB 40/0.03A, 4p

Cable entry at top and bottom:
each with 1x M12, 1x M20, 2x M40

Connection option:
for 2 cables up to 5 x 25 mm²



Item
04

VARIABOX-L

Order no. **89085**

Ex warehouse

Components:
2 schuko-type sockets 16A, 230V
2 CEE sockets 16A, 400V, 5p

Fuse:
2 Neozed D01, 1p
2 Neozed D01, 3p

Cable entry at top and bottom:
each with 1x M12, 1x M20, 2x M40

Connection option:
for 2 cables up to 5 x 25 mm²



Item
05

VARIABOX-L

Order no. **89065**

Components:
2 schuko-type sockets 16A, 230V
2 CEE sockets 16A, 400V, 5p

Fuse:
2 C-type MCBs 16A, 1p
2 C-type MCBs 16A, 3p

Cable entry at top and bottom:
each with 1x M12, 1x M20, 2x M40

Connection option:
for 2 cables up to 5 x 25 mm²



Item
06

VARIABOX-L

Order no. **89075**

Ex warehouse

Components:
2 schuko-type sockets 16A, 230V
2 CEE sockets 16A, 400V, 5p

Fuse:
2 C-type MCBs 16A, 1p
2 C-type MCBs 16A, 3p
1 RCCB 40/0.03A, 4p

Cable entry at top and bottom:
each with 1x M12, 1x M20, 2x M40

Connection option:
for 2 cables up to 5 x 25 mm²



Item
07

VARIABOX-L

Order no. **89087**

Components:
3 schuko-type sockets 16A, 230V
1 CEE socket 16A, 400V, 5p

Fuse:
3 C-type MCBs 16A, 1p
1 C-type MCB 16A, 3p

Cable entry at top and bottom:
each with 1x M12, 1x M20, 2x M40

Connection option:
for 2 cables up to 5 x 25 mm²



Item
08

VARIABOX -L



Order no. **89081**

Components:
3 schuko-type sockets 16A, 230V
2 CEE sockets 16A, 400V, 5p

Fuse:
3 C-type MCBs 16A, 1p
2 C-type MCBs 16A, 3p

Cable entry at top and bottom:
each with 1x M12, 1x M20, 2x M40

Connection option:
for 2 cables up to 5 x 25 mm²

Item
01

VARIABOX -L



Order no. **89061**

Components:
1 schuko-type socket 16A, 230V
1 CEE socket 16A, 400V, 5p
1 CEE socket 32A, 400V, 5p

Fuse:
1 Neozed D01, 1p
1 Neozed D01, 3p
1 Neozed D02, 3p

Cable entry at top and bottom:
each with 1x M12, 1x M20, 2x M40

Connection option:
for 2 cables up to 5 x 25 mm²

Item
02

VARIABOX -L



Order no. **89086**

Ex warehouse

Components:
2 schuko-type sockets 16A, 230V
1 CEE socket 16A, 400V, 5p
1 CEE socket 32A, 400V, 5p

Fuse:
2 Neozed D01, 1p
1 Neozed D01, 3p
1 Neozed D02, 3p

Cable entry at top and bottom:
each with 1x M12, 1x M20, 2x M40

Connection option:
for 2 cables up to 5 x 25 mm²

Item
03

VARIABOX -L



Order no. **89067**

Components:
2 schuko-type sockets 16A, 230V
1 CEE socket 16A, 400V, 5p
1 CEE socket 32A, 400V, 5p

Fuse:
2 C-type MCBs 16A, 1p
1 C-type MCB 16A, 3p

Cable entry at top and bottom:
each with 1x M12, 1x M20, 2x M40

Connection option:
for 2 cables up to 5 x 25 mm²

Item
04

VARIABOX -L



Order no. **89068**

Ex warehouse

Components:
2 schuko-type sockets 16A, 230V
1 CEE socket 16A, 400V, 5p
1 CEE socket 32A, 400V, 5p

Fuse:
2 C-type MCBs 16A, 1p
1 C-type MCB 16A, 3p
1 C-type MCB 32A, 3p

Cable entry at top and bottom:
each with 1x M12, 1x M20, 2x M40

Connection option:
for 2 cables up to 5 x 25 mm²

Item
05

VARIABOX -L



Order no. **89078**

Components:
2 schuko-type sockets 16A, 230V
1 CEE socket 16A, 400V, 5p
1 CEE socket 32A, 400V, 5p

Fuse:
2 Neozed D01, 1p
1 Neozed D01, 3p
1 RCCB 40/0.03A, 4p

Cable entry at top and bottom:
each with 1x M12, 1x M20, 2x M40

Connection option:
for 2 cables up to 5 x 25 mm²

Item
06

VARIABOX -L



Order no. **89066**

Ex warehouse

Components:
2 schuko-type sockets 16A, 230V
1 CEE socket 16A, 400V, 5p
1 CEE socket 32A, 400V, 5p

Fuse:
2 C-type MCBs 16A, 1p
1 C-type MCB 16A, 3p
1 RCCB 40/0.03A, 4p

Cable entry at top and bottom:
each with 1x M12, 1x M20, 2x M40

Connection option:
for 2 cables up to 5 x 25 mm²

Item
07

VARIABOX -L



Order no. **89076**

Ex warehouse

Components:
2 schuko-type sockets 16A, 230V
1 CEE socket 16A, 400V, 5p
1 CEE socket 32A, 400V, 5p

Fuse:
2 C-type MCBs 16A, 1p
1 C-type MCB 16A, 3p
1 C-type MCB 32A, 3p
1 RCCB 40/0.03A, 4p

Cable entry at top and bottom:
each with 1x M12, 1x M20, 2x M40

Connection option:
for 2 cables up to 5 x 25 mm²

Item
08

VARIABOX-L



Order no. **89077**

Components:
2 schuko-type sockets 16A, 230V
1 CEE socket 16A, 400V, 5p
1 CEE socket 32A, 400V, 5p

Fuse:
2 C-type MCBs 16A, 1p
1 C-type MCB 16A, 3p
1 C-type MCB 32A, 3p
1 RCCB 63/0.03A, 4p

Cable entry at top and bottom:
each with 1x M12, 1x M20, 2x M40

Connection option:
for 2 cables up to 5 x 25 mm²

Item
01

VARIABOX-L



Order no. **890755**

Components:
2 schuko-type sockets 16A, 230V
1 CEE socket 16A, 400V, 5p
1 CEE socket 32A, 400V, 5p
1 double data socket RJ45 CAT6 IP55

Fuse:
2 C-type MCBs 16A, 1p
1 C-type MCB 16A, 3p
1 RCCB 40/0.03A, 4p

Cable entry at top and bottom:
each with 2x M20, 2x M40

Connection option:
for 2 cables up to 5 x 25 mm²

Item
02

VARIABOX-L



Order no. **89072**

Components:
3 schuko-type sockets 16A, 230V
1 CEE socket 16A, 400V, 5p
1 CEE socket 32A, 400V, 5p

Fuse:
3 Neozed D01, 1p
1 Neozed D01, 3p

Cable entry at top and bottom:
each with 1x M12, 1x M20, 2x M40

Connection option:
for 2 cables up to 5 x 25 mm²

Item
03

VARIABOX-L



Order no. **89071**

Components:
3 schuko-type sockets 16A, 230V
1 CEE socket 16A, 400V, 5p
1 CEE socket 32A, 400V, 5p

Fuse:
3 C-type MCBs 16A, 1p
1 C-type MCB 16A, 3p

Cable entry at top and bottom:
each with 1x M12, 1x M20, 2x M40

Connection option:
for 2 cables up to 5 x 25 mm²

Item
04

VARIABOX-L



Order no. **89070**

Ex warehouse

Components:
3 schuko-type sockets 16A, 230V
1 CEE socket 16A, 400V, 5p
1 CEE socket 32A, 400V, 5p

Fuse:
3 C-type MCBs 16A, 1p
1 C-type MCB 16A, 3p
1 C-type MCB 32A, 3p

Cable entry at top and bottom:
each with 1x M12, 1x M20, 2x M40

Connection option:
for 2 cables up to 5 x 25 mm²

Item
05

VARIABOX-L



Order no. **89091**

Components:
3 schuko-type sockets 16A, 230V
1 CEE socket 16A, 400V, 5p
1 CEE socket 32A, 400V, 5p

Fuse:
3 C-type MCBs 16A, 1p
1 C-type MCB 16A, 3p
1 RCCB 40/0.03A, 4p

Cable entry at top and bottom:
each with 1x M12, 1x M20, 2x M40

Connection option:
for 2 cables up to 5 x 25 mm²

Item
06

VARIABOX-L



Order no. **89083**

Components:
4 schuko-type sockets 16A, 230V
1 CEE socket 16A, 400V, 5p
1 CEE socket 32A, 400V, 5p

Fuse:
4 C-type MCBs 16A, 1p
1 C-type MCB 16A, 3p
1 C-type MCB 32A, 3p

Cable entry at top and bottom:
each with 1x M12, 1x M20, 2x M40

Connection option:
for 2 cables up to 5 x 25 mm²

Item
07

VARIABOX-L



Order no. **89092**

Components:
1 schuko-type socket 16A, 230V
2 CEE sockets 16A, 230V, 3p
1 CEE socket 16A, 400V, 5p
1 CEE socket 32A, 400V, 5p

Fuse:
3 C-type MCBs 16A, 1p
1 C-type MCB 16A, 3p
1 RCCB 40/0.03A, 4p

Cable entry at top and bottom:
each with 1x M12, 1x M20, 2x M40

Connection option:
for 2 cables up to 5 x 25 mm²

Item
08

VARIABOX -L



Order no. **89069**

Components:
2 schuko-type sockets 16A, 230V
2 CEE sockets 32A, 400V, 5p

Fuse:
2 C-type MCBs 16A, 1p
2 C-type MCBs 32A, 3p

Cable entry at top and bottom:
each with 1x M12, 1x M20, 2x M40

Connection option:
for 2 cables up to 5 x 25 mm²

Item
01

VARIABOX -L



Order no. **89089**

Components:
3 schuko-type sockets 16A, 230V
2 CEE sockets 32A, 400V, 5p

Fuse:
3 C-type MCBs 16A, 1p
2 C-type MCBs 32A, 3p

Cable entry at top and bottom:
each with 1x M12, 1x M20, 2x M40

Connection option:
for 2 cables up to 5 x 25 mm²

Item
02

VARIABOX -L



Order no. **89060**

Components:
3 CEE sockets 16A, 400V, 5p

Fuse:
3 Neozed D01, 3p

Cable entry at top and bottom:
each with 1x M12, 1x M20, 2x M40

Connection option:
for 2 cables up to 5 x 25 mm²

Item
03

VARIABOX -L



Order no. **89090**

Components:
2 schuko-type sockets 16A, 230V
1 CEE socket 63A, 400V, 5p

Fuse:
2 C-type MCBs 16A, 1p
1 C-type MCB 63A, 3p

Cable entry at top and bottom:
each with 1x M12, 1x M20, 2x M40

Connection option:
for 2 cables up to 5 x 25 mm²

Item
04

VARIABOX -L



Order no. **89079**

Components:
2 schuko-type sockets 16A, 230V
1 CEE socket 16A, 400V, 5p
1 CEE socket 63A, 400V, 5p

Fuse:
2 C-type MCBs 16A, 1p
1 C-type MCB 16A, 3p
1 RCCB 63/0.03A, 4p

Cable entry at top and bottom:
each with 1x M12, 1x M20, 2x M40

Connection option:
for 2 cables up to 5 x 25 mm²

Item
05

VARIABOX -L



Order no. **89080**

Components:
2 schuko-type sockets 16A, 230V
1 CEE socket 32A, 400V, 5p
1 CEE socket 63A, 400V, 5p

Fuse:
2 C-type MCBs 16A, 1p
1 C-type MCB 32A, 3p
1 RCCB 63/0.03A, 4p

Cable entry at top and bottom:
each with 1x M12, 1x M20, 2x M40

Connection option:
for 2 cables up to 5 x 25 mm²

Item
06

VARIABOX -L



Order no. **89074**

Components:
1 CEE socket 16A, 400V, 5p
1 CEE socket 32A, 400V, 5p
1 CEE socket 63A, 400V, 5p

Fuse:
1 Neozed D01, 3p
1 Neozed D02, 3p

Cable entry at top and bottom:
each with 1x M12, 1x M20, 2x M40

Connection option:
for 2 cables up to 5 x 25 mm²

Item
07

VARIABOX -L



Order no. **89073**

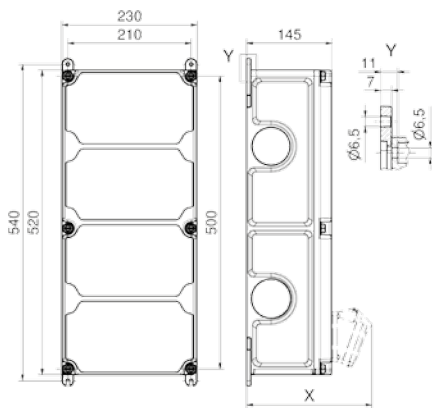
Components:
1 CEE socket 16A, 400V, 5p
1 CEE socket 32A, 400V, 5p
1 CEE socket 63A, 400V, 5p

Fuse:
1 C-type MCB 16A, 3p
1 C-type MCB 32A, 3p
1 RCCB 63/0.03A, 4p

Cable entry at top and bottom:
each with 1x M12, 1x M20, 2x M40

Connection option:
for 2 cables up to 5 x 25 mm²

Item
08



Tiefenmaß X (in mm)		
Bezeichnung	IP44	IP67
OTC-Klappe	180	180
Schutzk-Steckdose	162	205
CEE 16A 3p	200	200
CEE 16A 4p	204	202
CEE 16A 5p	207	205
CEE 32A 3p/4p	211	213
CEE 32A 5p	213	214
CEE 63A 3p/4p/5p	229	231

- Dimension of housing: 520 x 230 mm
- Housing made of high-grade, impact-resistant plastic
- Hinged lid
- Top and bottom can be sealed together
- With external and internal fastening
- User-friendly OTC operating window
- Permanently attached cover screws
- Coded flange plate system for maximum safety during initial installation and maintenance
- Top section straight, CEE sockets angled
- All CEE sockets with screwless, maintenance-free QUICK-CONNECT technology
- Colours: bottom - black, top - electro-grey (housing top optionally available in the colours yellow, red, blue or silver)
- Accessories: see page 161

VARIABOX -XL

Order no. **890399**



Components:
2 schuko-type sockets 16A, 230V
2 CEE sockets 16A, 400V, 5p
1 double data socket RJ45 CAT6 IP55

Fuse:
2 C-type MCBs 16A, 1p
2 C-type MCBs 16A, 3p
1 RCCB 40/0.03A, 4p

Cable entry at top and bottom:
each with 2x M20, 2x M40

Connection option:
for 2 cables up to 5 x 25 mm²

Item
01

VARIABOX -XL

Order no. **89103**



Components:
3 schuko-type sockets 16A, 230V
2 CEE sockets 16A, 400V, 5p

Fuse:
3 Neozed D01, 1p
2 Neozed D01, 3p
1 RCCB 40/0.03A, 4p

Cable entry at top and bottom:
each with 1x M12, 1x M20, 2x M40

Connection option:
for 2 cables up to 5 x 25 mm²

Item
02

VARIABOX -XL

Order no. **89098**



Components:
3 schuko-type sockets 16A, 230V
2 CEE sockets 16A, 400V, 5p

Fuse:
3 C-type MCBs 16A, 1p
2 C-type MCBs 16A, 3p
1 RCCB 40/0.03A, 4p

Cable entry at top and bottom:
each with 1x M12, 1x M20, 2x M40

Connection option:
for 2 cables up to 5 x 25 mm²

Item
03

VARIABOX -XL

Order no. **89102**



Components:
4 schuko-type sockets 16A, 230V
2 CEE sockets 16A, 400V, 5p

Fuse:
4 C-type MCBs 16A, 1p
2 Neozed D01, 3p
1 RCCB 40/0.03A, 4p

Cable entry at top and bottom:
each with 1x M12, 1x M20, 2x M40

Connection option:
for 2 cables up to 5 x 25 mm²

Item
04

VARIABOX -XL

Order no. **89118**



Components:
4 schuko-type sockets 16A, 230V
2 CEE sockets 16A, 400V, 5p

Fuse:
4 C-type MCBs 16A, 1p
2 C-type MCBs 16A, 3p
1 RCCB 40/0.03A, 4p

Cable entry at top and bottom:
each with 1x M12, 1x M20, 2x M40

Connection option:
for 2 cables up to 5 x 25 mm²

Item
05

VARIABOX -XL

Order no. **89647**



Components:
2 schuko-type sockets 16A, 230V
1 CEE socket 16A, 400V, 5p
1 CEE socket 32A, 400V, 5p
1 double data socket RJ45 CAT6 IP55

Fuse:
2 Neozed D01, 1p
1 Neozed D01, 3p
1 Neozed D02, 3p
1 RCCB 63/0.03A, 4p

Cable entry at top and bottom:
each with 2x M20, 2x M40

Connection option:
for 2 cables up to 5 x 25 mm²

Item
06

VARIABOX -XL



Item
01

Order no. **89330**

Components:
2 schuko-type sockets 16A, 230V
1 CEE socket 16A, 400V, 5p
1 CEE socket 32A, 400V, 5p
1 double data socket RJ45 CAT6 IP55

Fuse:
2 C-type MCBs 16A, 1p
1 C-type MCB 16A, 3p
1 C-type MCB 32A, 3p
1 RCCB 40/0.03A, 4p

Cable entry at top and bottom:
each with 2x M20, 2x M40

Connection option:
for 2 cables up to 5 x 25 mm²

VARIABOX -XL



Item
02

Order no. **890396**

Components:
3 schuko-type sockets 16A, 230V
1 CEE socket 16A, 400V, 5p
1 CEE socket 32A, 400V, 5p
1 double data socket RJ45 CAT6 IP55

Fuse:
3 Neozed D01, 1p
1 Neozed D01, 3p
1 Neozed D02, 3p
1 RCCB 63/0.03A, 4p

Cable entry at top and bottom:
each with 2x M20, 2x M40

Connection option:
for 2 cables up to 5 x 25 mm²

VARIABOX -XL



Item
03

Order no. **890297**

Components:
3 schuko-type sockets 16A, 230V
1 CEE socket 16A, 400V, 5p
1 CEE socket 32A, 400V, 5p
1 double data socket RJ45 CAT6 IP55

Fuse:
3 C-type MCBs 16A, 1p
1 C-type MCB 16A, 3p
1 C-type MCB 32A, 3p
1 RCCB 63/0.03A, 4p

Cable entry at top and bottom:
each with 2x M20, 2x M40

Connection option:
for 2 cables up to 5 x 25 mm²

VARIABOX -XL



Item
04

Order no. **89146**

Ex warehouse

Components:
2 schuko-type sockets 16A, 230V
2 CEE sockets 32A, 400V, 5p

Fuse:
2 Neozed D01, 1p
2 Neozed D02, 3p

Cable entry at top and bottom:
each with 1x M12, 1x M20, 2x M40

Connection option:
for 2 cables up to 5 x 25 mm²

VARIABOX -XL



Item
05

Order no. **89107**

Ex warehouse

Components:
3 schuko-type sockets 16A, 230V
2 CEE sockets 32A, 400V, 5p

Fuse:
3 C-type MCBs 16A, 1p
2 C-type MCBs 32A, 3p
1 RCCB 63/0.03A, 4p

Cable entry at top and bottom:
each with 1x M12, 1x M20, 2x M40

Connection option:
for 2 cables up to 5 x 25 mm²

VARIABOX -XL



Item
06

Order no. **89106**

Components:
2 schuko-type sockets 16A, 230V
3 CEE sockets 16A, 400V, 5p

Fuse:
2 C-type MCBs 16A, 1p
3 C-type MCBs 16A, 3p
1 RCCB 63/0.03A, 4p

Cable entry at top and bottom:
each with 1x M12, 1x M20, 2x M40

Connection option:
for 2 cables up to 5 x 25 mm²

VARIABOX -XL



Item
07

Order no. **89111**

Components:
4 schuko-type sockets 16A, 230V
3 CEE sockets 16A, 400V, 5p

Fuse:
4 C-type MCBs 16A, 1p
3 C-type MCBs 16A, 3p

Cable entry at top and bottom:
each with 1x M12, 1x M20, 2x M40

Connection option:
for 2 cables up to 5 x 25 mm²

VARIABOX -XL



Item
08

Order no. **89093**

Components:
4 CEE sockets 16A, 400V, 5p

Fuse:
4 Neozed D01, 3p

Cable entry at top and bottom:
each with 1x M12, 1x M20, 2x M40

Connection option:
for 2 cables up to 5 x 25 mm²

VARIABOX -XL



Item
01

Order no. **89113**

Components:
2 schuko-type sockets 16A, 230V
2 CEE sockets 16A, 400V, 5p
2 CEE sockets 32A, 400V, 5p

Fuse:
1 C-type MCB 16A, 1p
2 C-type MCBs 16A, 3p
2 C-type MCBs 32A, 3p

Cable entry at top and bottom:
each with 1x M12, 1x M20, 2x M40

Connection option:
for 2 cables up to 5 x 25 mm²

VARIABOX -XL



Item
02

Order no. **89094**

Ex warehouse

Components:
2 schuko-type sockets 16A, 230V
1 CEE socket 16A, 400V, 5p
1 CEE socket 32A, 400V, 5p

Fuse:
2 Neozed D01, 1p
1 Neozed D01, 3p
1 Neozed D02, 3p
1 RCCB 63/0.03A, 4p

Cable entry at top and bottom:
each with 1x M12, 1x M20, 2x M40

Connection option:
for 2 cables up to 5 x 25 mm²

VARIABOX -XL



Item
03

Order no. **89100**

Components:
3 schuko-type sockets 16A, 230V
1 CEE socket 16A, 400V, 5p
1 CEE socket 32A, 400V, 5p

Fuse:
3 Neozed D01, 1p
1 Neozed D01, 3p
1 Neozed D02, 3p

Cable entry at top and bottom:
each with 1x M12, 1x M20, 2x M40

Connection option:
for 2 cables up to 5 x 25 mm²

VARIABOX -XL



Item
04

Order no. **89104**

Components:
3 schuko-type sockets 16A, 230V
1 CEE socket 16A, 400V, 5p
1 CEE socket 32A, 400V, 5p

Fuse:
3 Neozed D01, 1p
1 Neozed D01, 3p
1 Neozed D02, 3p
1 RCCB 40/0.03A, 4p

Cable entry at top and bottom:
each with 1x M12, 1x M20, 2x M40

Connection option:
for 2 cables up to 5 x 25 mm²

VARIABOX -XL



Item
05

Order no. **89116**

Ex warehouse

Components:
3 schuko-type sockets 16A, 230V
1 CEE socket 16A, 400V, 5p
1 CEE socket 32A, 400V, 5p

Fuse:
3 C-type MCBs 16A, 1p
1 C-type MCB 16A, 3p
1 C-type MCB 32A, 3p
1 RCCB 40/0.03A, 4p

Cable entry at top and bottom:
each with 1x M12, 1x M20, 2x M40

Connection option:
for 2 cables up to 5 x 25 mm²

VARIABOX -XL



Item
06

Order no. **89099**

Ex warehouse

Components:
3 schuko-type sockets 16A, 230V
1 CEE socket 16A, 400V, 5p
1 CEE socket 32A, 400V, 5p

Fuse:
3 C-type MCBs 16A, 1p
1 C-type MCB 16A, 3p
1 C-type MCB 32A, 3p
1 RCCB 63/0.03A, 4p

Cable entry at top and bottom:
each with 1x M12, 1x M20, 2x M40

Connection option:
for 2 cables up to 5 x 25 mm²

VARIABOX -XL



Item
07

Order no. **89101**

Ex warehouse

Components:
4 schuko-type sockets 16A, 230V
1 CEE socket 16A, 400V, 5p
1 CEE socket 32A, 400V, 5p

Fuse:
4 C-type MCBs 16A, 1p
1 C-type MCB 16A, 3p
1 C-type MCB 32A, 3p
1 RCCB 40/0.03A, 4p

Cable entry at top and bottom:
each with 1x M12, 1x M20, 2x M40

Connection option:
for 2 cables up to 5 x 25 mm²

VARIABOX -XL



Item
08

Order no. **89097**

Components:
2 schuko-type sockets 16A, 230V
2 CEE sockets 16A, 400V, 5p
1 CEE socket 32A, 400V, 5p

Fuse:
2 Neozed D01, 1p
2 Neozed D01, 3p
1 Neozed D02, 3p

Cable entry at top and bottom:
each with 1x M12, 1x M20, 2x M40

Connection option:
for 2 cables up to 5 x 25 mm²

VARIABOX -XL



Item
01

Order no. **89096**

Components:

2 schuko-type sockets 16A, 230V
2 CEE sockets 16A, 400V, 5p
1 CEE socket 32A, 400V, 5p

Fuse:

2 C-type MCBs 16A, 1p
2 C-type MCBs 16A, 3p
1 C-type MCB 32A, 3p

Cable entry at top and bottom:

each with 1x M12, 1x M20, 2x M40

Connection option:

for 2 cables up to 5 x 25 mm²

VARIABOX -XL



Item
02

Order no. **89108**

Components:

2 schuko-type sockets 16A, 230V
2 CEE sockets 16A, 400V, 5p
1 CEE socket 32A, 400V, 5p

Fuse:

2 C-type MCBs 16A, 1p
2 C-type MCBs 16A, 3p
1 C-type MCB 32A, 3p
1 RCCB 63/0.03A, 4p

Cable entry at top and bottom:

each with 1x M12, 1x M20, 2x M40

Connection option:

for 2 cables up to 5 x 25 mm²

VARIABOX -XL



Item
03

Order no. **89112**

Components:

4 schuko-type sockets 16A, 230V
2 CEE sockets 16A, 400V, 5p
1 CEE socket 32A, 400V, 5p

Fuse:

4 C-type MCBs 16A, 1p
2 C-type MCBs 16A, 3p
1 C-type MCB 32A, 3p

Cable entry at top and bottom:

each with 1x M12, 1x M20, 2x M40

Connection option:

for 2 cables up to 5 x 25 mm²

VARIABOX -XL



Item
04

Order no. **89109**

Components:

2 schuko-type sockets 16A, 230V
1 CEE socket 16A, 400V, 5p
1 CEE socket 63A, 400V, 5p

Fuse:

2 C-type MCBs 16A, 1p
1 C-type MCB 16A, 3p
1 Neozed D02, 3p
1 RCCB 63/0.03A, 4p

Cable entry at top and bottom:

each with 1x M12, 1x M20, 2x M40

Connection option:

for 2 cables up to 5 x 25 mm²

VARIABOX -XL



Item
05

Order no. **89110**

Components:

1 schuko-type socket 16A, 230V
1 CEE socket 16A, 400V, 5p
1 CEE socket 32A, 400V, 5p
1 CEE socket 63A, 400V, 5p

Fuse:

1 C-type MCB 16A, 1p
1 C-type MCB 16A, 3p
1 C-type MCB 32A, 3p
1 RCCB 63/0.03A, 4p

Cable entry at top and bottom:

each with 1x M12, 1x M20, 2x M40

Connection option:

for 2 cables up to 5 x 25 mm²

VARIABOX -XL



Item
06

Order no. **89117**

Components:

2 schuko-type sockets 16A, 230V
1 CEE socket 16A, 400V, 5p
1 CEE socket 32A, 400V, 5p
1 CEE socket 63A, 400V, 5p

Fuse:

2 Neozed D01, 1p
1 Neozed D01, 3p
1 Neozed D02, 3p

Cable entry at top and bottom:

each with 1x M12, 1x M20, 2x M40

Connection option:

for 2 cables up to 5 x 25 mm²

VARIABOX -XL



Item
07

Order no. **89115**

Components:

2 schuko-type sockets 16A, 230V
1 CEE socket 16A, 400V, 5p
1 CEE socket 32A, 400V, 5p
1 CEE socket 63A, 400V, 5p

Fuse:

2 C-type MCBs 16A, 1p
1 C-type MCB 16A, 3p
1 C-type MCB 32A, 3p
1 C-type MCB 63A, 3p

Cable entry at top and bottom:

each with 1x M12, 1x M20, 2x M40

Connection option:

for 2 cables up to 5 x 25 mm²

VARIABOX -XL



Item
08

Order no. **89095**

Components:

2 schuko-type sockets 16A, 230V
1 CEE socket 16A, 400V, 5p
1 CEE socket 32A, 400V, 5p
1 CEE socket 63A, 400V, 5p

Fuse:

2 C-type MCBs 16A, 1p
1 C-type MCB 16A, 3p
1 C-type MCB 32A, 3p
1 RCCB 63/0.03A, 4p

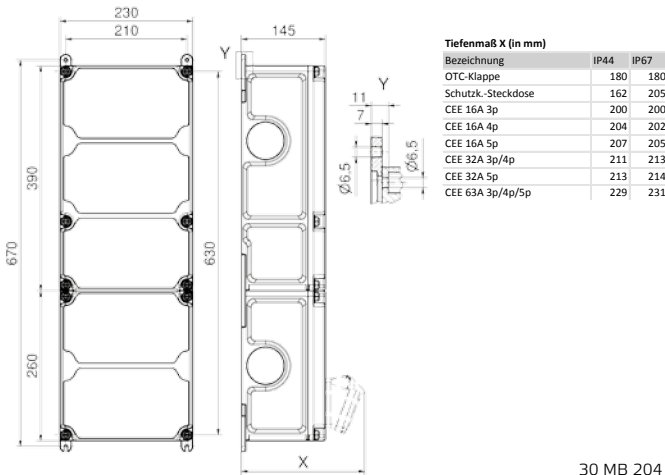
Cable entry at top and bottom:

each with 1x M12, 1x M20, 2x M40

Connection option:

for 2 cables up to 5 x 25 mm²





30 MB 204

- Dimension of housing: 650 x 230 mm
- Housing made of high-grade, impact-resistant plastic
- Hinged lid
- Top and bottom can be sealed together
- With external and internal fastening
- User-friendly OTC operating window
- Permanently attached cover screws
- Coded flange plate system for maximum safety during initial installation and maintenance
- Top section straight, CEE sockets angled
- All CEE sockets with screwless, maintenance-free QUICK-CONNECT technology
- Colours: bottom - black, top - electro-grey (housing top optionally available in the colours yellow, red, blue or silver)
- Accessories: see page 161

VARIABOX-XXL

Order no. **89137**

Components:

6 schuko-type sockets 16A, 230V
2 CEE sockets 16A, 400V, 5p

Fuse:

6 C-type MCBs 16A, 1p
2 Neozed D01, 3p
1 RCCB 40/0.03A, 4p

Cable entry at top and bottom:

each with 1x M12, 1x M20, 2x M40

Connection option:

for 2 cables up to 5 x 25 mm²

Item
01

VARIABOX-XXL

Order no. **89127**



Components:

4 schuko-type sockets 16A, 230V
3 CEE sockets 16A, 400V, 5p

Fuse:

4 C-type MCBs 16A, 1p
3 C-type MCBs 16A, 3p
1 RCCB 63/0.03A, 4p

Cable entry at top and bottom:

each with 1x M12, 1x M20, 2x M40

Connection option:

for 2 cables up to 5 x 25 mm²

Item
02

VARIABOX-XXL

Order no. **89122**

Components:

6 CEE sockets 16A, 230V, 3p

Fuse:

6 C-type MCBs 16A, 1p
6 RCCB 25/0.03A, 2p

Cable entry at top and bottom:

each with 1x M12, 1x M20, 2x M40

Connection option:

for 2 cables up to 5 x 25 mm²

Item
03

VARIABOX-XXL

Order no. **89120**

Components:

6 schuko-type sockets 16A, 230V
1 CEE socket 16A, 400V, 5p
1 CEE socket 32A, 400V, 5p

Fuse:

6 C-type MCBs 16A, 1p
1 C-type MCB 16A, 3p
1 C-type MCB 32A, 3p
1 RCCB 63/0.03A, 4p

Cable entry at top and bottom:

each with 1x M12, 1x M20, 2x M40

Connection option:

for 2 cables up to 5 x 25 mm²

Item
04

VARIABOX-XXL

Order no. **89139**

Components:

3 schuko-type sockets 16A, 230V
1 CEE socket 16A, 230V, 3p
1 CEE socket 16A, 400V, 5p
1 CEE socket 32A, 400V, 5p

Fuse:

4 Neozed D01, 1p
1 Neozed D01, 3p
1 Neozed D02, 3p
1 RCCB 63/0.03A, 4p

Cable entry at top and bottom:

each with 1x M12, 1x M20, 2x M40

Connection option:

for 2 cables up to 5 x 25 mm²

Item
05

VARIABOX-XXL

Order no. **89140**

Components:

3 schuko-type sockets 16A, 230V
2 CEE sockets 16A, 400V, 5p
1 CEE socket 32A, 400V, 5p

Fuse:

3 Neozed D01, 1p
2 Neozed D01, 3p
1 Neozed D02, 3p

Cable entry at top and bottom:

each with 1x M12, 1x M20, 2x M40

Connection option:

for 2 cables up to 5 x 25 mm²

Item
06

VARIABOX-XXL



Order no. **89119**

Ex warehouse

Components:

4 schuko-type sockets 16A, 230V
2 CEE sockets 16A, 400V, 5p
1 CEE socket 32A, 400V, 5p

Fuse:

4 C-type MCBs 16A, 1p
2 C-type MCBs 16A, 3p
1 C-type MCB 32A, 3p
1 RCCB 63/0.03A, 4p

Cable entry at top and bottom:

each with 1x M12, 1x M20, 2x M40

Connection option:

for 2 cables up to 5 x 25 mm²

Item
01

VARIABOX-XXL



Order no. **89141**

Components:

3 schuko-type sockets 16A, 230V
1 CEE socket 16A, 400V, 5p
2 CEE sockets 32A, 400V, 5p

Fuse:

3 Neozed D01, 1p
1 Neozed D01, 3p
2 Neozed D02, 3p

Cable entry at top and bottom:

each with 1x M12, 1x M20, 2x M40

Connection option:

for 2 cables up to 5 x 25 mm²

Item
02

VARIABOX-XXL



Order no. **89130**

Components:

4 schuko-type sockets 16A, 230V
1 CEE socket 16A, 400V, 5p
2 CEE sockets 32A, 400V, 5p

Fuse:

4 C-type MCBs 16A, 1p
1 C-type MCB 16A, 3p
2 C-type MCBs 32A, 3p
1 RCCB 63/0.03A, 4p

Cable entry at top and bottom:

each with 1x M12, 1x M20, 2x M40

Connection option:

for 2 cables up to 5 x 25 mm²

Item
03

VARIABOX-XXL



Order no. **89131**

Components:

4 schuko-type sockets 16A, 230V
3 CEE sockets 32A, 400V, 5p

Fuse:

4 C-type MCBs 16A, 1p
3 C-type MCBs 32A, 3p
1 RCCB 63/0.03A, 4p

Cable entry at top and bottom:

each with 1x M12, 1x M20, 2x M40

Connection option:

for 2 cables up to 5 x 25 mm²

Item
04

VARIABOX-XXL



Order no. **89135**

Components:

2 schuko-type sockets 16A, 230V
2 CEE sockets 16A, 400V, 5p
2 CEE sockets 32A, 400V, 5p

Fuse:

2 C-type MCBs 16A, 1p
2 C-type MCBs 16A, 3p
2 C-type MCBs 32A, 3p
1 RCCB 63/0.03A, 4p

Cable entry at top and bottom:

each with 1x M12, 1x M20, 2x M40

Connection option:

for 2 cables up to 5 x 25 mm²

Item
05

VARIABOX-XXL



Order no. **89142**

Components:

3 schuko-type sockets 16A, 230V
2 CEE sockets 16A, 400V, 5p
2 CEE sockets 32A, 400V, 5p

Fuse:

3 C-type MCBs 16A, 1p
2 C-type MCBs 16A, 3p
2 C-type MCBs 32A, 3p
1 RCCB 63/0.03A, 4p

Cable entry at top and bottom:

each with 1x M12, 1x M20, 2x M40

Connection option:

for 2 cables up to 5 x 25 mm²

Item
06

VARIABOX-XXL



Order no. **89121**

Components:

2 schuko-type sockets 16A, 230V
1 CEE socket 16A, 400V, 5p
1 CEE socket 32A, 400V, 5p
1 CEE socket 63A, 400V, 5p

Fuse:

2 Neozed D01, 1p
1 Neozed D01, 3p
2 Neozed D02, 3p

Cable entry at top and bottom:

each with 1x M12, 1x M20, 2x M40

Connection option:

for 2 cables up to 5 x 25 mm²

Item
07

VARIABOX-XXL



Order no. **89136**

Components:

2 schuko-type sockets 16A, 230V
1 CEE socket 16A, 400V, 5p
1 CEE socket 32A, 400V, 5p
1 CEE socket 63A, 400V, 5p

Fuse:

2 C-type MCBs 16A, 1p
1 Neozed D01, 3p
2 Neozed D02, 3p
1 RCCB 25/0.03A, 2p (for schuko)

Cable entry at top and bottom:

each with 1x M12, 1x M20, 2x M40

Connection option:

for 2 cables up to 5 x 25 mm²

Item
08

VARIABOX -XXL

Order no. **89123**

Components:
2 schuko-type sockets 16A, 230V
1 CEE socket 16A, 400V, 5p
1 CEE socket 32A, 400V, 5p
1 CEE socket 63A, 400V, 5p

Fuse:
2 C-type MCBs 16A, 1p
1 C-type MCB 16A, 3p
1 C-type MCB 32A, 3p
1 Neozed D02, 3p
1 RCCB 63/0.03A, 4p

Cable entry at top and bottom:
each with 1x M12, 1x M20, 2x M40

Connection option:
for 2 cables up to 5 x 25 mm²



Item
01

VARIABOX -XXL

Order no. **89126**

Components:
3 schuko-type sockets 16A, 230V
1 CEE socket 16A, 400V, 5p
1 CEE socket 32A, 400V, 5p
1 CEE socket 63A, 400V, 5p

Fuse:
3 Neozed D01, 1p
1 Neozed D01, 3p
2 Neozed D02, 3p

Cable entry at top and bottom:
each with 1x M12, 1x M20, 2x M40

Connection option:
for 2 cables up to 5 x 25 mm²



Item
02

VARIABOX -XXL

Order no. **89125**

Components:
3 schuko-type sockets 16A, 230V
1 CEE socket 16A, 400V, 5p
1 CEE socket 32A, 400V, 5p
1 CEE socket 63A, 400V, 5p

Fuse:
3 C-type MCBs 16A, 1p
1 C-type MCB 16A, 3p
1 C-type MCB 32A, 3p
1 Neozed D02, 3p

Cable entry at top and bottom:
each with 1x M12, 1x M20, 2x M40

Connection option:
for 2 cables up to 5 x 25 mm²



Item
03

VARIABOX -XXL

Order no. **89124**

Components:
3 schuko-type sockets 16A, 230V
1 CEE socket 16A, 400V, 5p
1 CEE socket 32A, 400V, 5p
1 CEE socket 63A, 400V, 5p

Fuse:
3 C-type MCBs 16A, 1p
1 C-type MCB 16A, 3p
1 C-type MCB 32A, 3p
1 RCCB 63/0.03A, 4p

Cable entry at top and bottom:
each with 1x M12, 1x M20, 2x M40

Connection option:
for 2 cables up to 5 x 25 mm²



Item
04

VARIABOX -XXL

Order no. **89145**

Components:
4 schuko-type sockets 16A, 230V
1 CEE socket 16A, 400V, 5p
1 CEE socket 32A, 400V, 5p
1 CEE socket 63A, 400V, 5p

Fuse:
4 Neozed D01, 1p
1 Neozed D01, 3p
1 Neozed D02, 3p

Cable entry at top and bottom:
each with 1x M12, 1x M20, 2x M40

Connection option:
for 2 cables up to 5 x 25 mm²



Item
05

VARIABOX -XXL

Order no. **89132**

Components:
4 schuko-type sockets 16A, 230V
1 CEE socket 16A, 400V, 5p
1 CEE socket 32A, 400V, 5p
1 CEE socket 63A, 400V, 5p

Fuse:
4 Neozed D01, 1p
1 Neozed D01, 3p
1 Neozed D02, 3p
1 RCCB 63/0.03A, 4p

Cable entry at top and bottom:
each with 1x M12, 1x M20, 2x M40

Connection option:
for 2 cables up to 5 x 25 mm²



Item
06

VARIABOX -XXL

Order no. **89144**

Components:
4 schuko-type sockets 16A, 230V
1 CEE socket 16A, 400V, 5p
1 CEE socket 32A, 400V, 5p
1 CEE socket 63A, 400V, 5p

Fuse:
4 C-type MCBs 16A, 1p
1 C-type MCB 16A, 3p
1 C-type MCB 32A, 3p
1 RCCB 63/0.03A, 4p

Cable entry at top and bottom:
each with 1x M12, 1x M20, 2x M40

Connection option:
for 2 cables up to 5 x 25 mm²



Item
07

VARIABOX -XXL

Order no. **89143**

Components:
4 schuko-type sockets 16A, 230V
1 CEE socket 16A, 400V, 5p
1 CEE socket 32A, 400V, 5p
1 CEE socket 63A, 400V, 5p

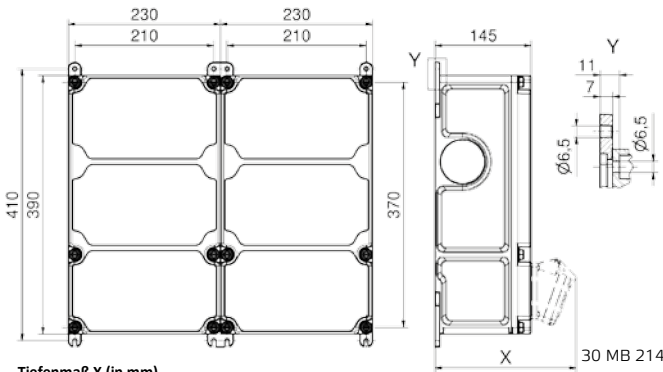
Fuse:
4 C-type MCBs 16A, 1p
1 C-type MCB 16A, 3p
1 C-type MCB 32A, 3p
1 Neozed D02, 3p
1 RCCB 63/0.03A, 4p

Cable entry at top and bottom:
each with 1x M12, 1x M20, 2x M40

Connection option:
for 2 cables up to 5 x 25 mm²



Item
08



Tiefenmaß X (in mm)

Bezeichnung	IP44	IP67	Bezeichnung	IP44	IP67
OTC-Klappe	180	180	CEE 16A 5p	207	205
Schutzk.-Steckdose	162	205	CEE 32A 3p/4p	211	213
CEE 16A 3p	200	200	CEE 32A 5p	213	214
CEE 16A 4p	204	202	CEE 63A 3p/4p/5p	229	231

- Dimension of housing: 390 x 460 mm
- Housing made of high-grade, impact-resistant plastic
- Hinged lid
- Top and bottom can be sealed together
- With external and internal fastening
- User-friendly OTC operating window
- Permanently attached cover screws
- Coded flange plate system for maximum safety during initial installation and maintenance
- Top section straight, CEE sockets angled
- All CEE sockets with screwless, maintenance-free QUICK-CONNECT technology
- Colours: bottom - black, top - electro-grey (housing top optionally available in the colours yellow, red, blue or silver)
- Accessories: see page 161

VARIABOX -L DUO

Order no. **89128**



Components:

4 schuko-type sockets 16A, 230V
3 CEE sockets 16A, 400V, 5p

Fuse:

4 Neozed D01, 1p
3 Neozed D01, 3p

Cable entry at top and bottom:

each with 1x M12, 1x M20, 2x M40

Connection option:

for 2 cables up to 5 x 25 mm²

Item
01

VARIABOX -L DUO

Order no. **89129**



Components:

4 schuko-type sockets 16A, 230V
1 CEE socket 16A, 230V, 3p
1 CEE socket 16A, 400V, 5p
1 CEE socket 32A, 400V, 5p

Fuse:

5 Neozed D01, 1p
1 Neozed D01, 3p
1 Neozed D02, 3p
1 RCCB 63/0.03A, 4p

Cable entry at top and bottom:

each with 1x M12, 1x M20, 2x M40

Connection option:

for 2 cables up to 5 x 25 mm²

Item
02

VARIABOX -L DUO

Order no. **89134**



Components:

4 schuko-type sockets 16A, 230V
2 CEE sockets 16A, 400V, 5p
1 CEE socket 32A, 400V, 5p

Fuse:

4 Neozed D01, 1p
2 Neozed D01, 3p
1 Neozed D02, 3p
1 RCCB 63/0.03A, 4p

Cable entry at top and bottom:

each with 1x M12, 1x M20, 2x M40

Connection option:

for 2 cables up to 5 x 25 mm²

Item
03

VARIABOX -L DUO

Order no. **890083**



Components:

4 schuko-type sockets 16A, 230V
1 CEE socket 16A, 400V, 5p
1 CEE socket 32A, 400V, 5p
1 CEE socket 63A, 400V, 5p
1 double data socket RJ45 CAT6 IP55

Fuse:

4 C-type MCBs 16A, 1p
1 C-type MCB 16A, 3p
1 C-type MCB 32A, 3p
1 C-type MCB 63A, 3p
1 RCCB 63/0.03A, 4p

Cable entry at top and bottom:

each with 2x M20, 2x M40

Connection option:

for 2 cables up to 5 x 25 mm²

Item
04

VARIABOX -L DUO

Order no. **89148**



Components:

6 schuko-type sockets 16A, 230V
1 CEE socket 16A, 400V, 5p
1 CEE socket 32A, 400V, 5p
1 CEE socket 63A, 400V, 5p

Fuse:

3 Neozed D01, 1p
1 Neozed D01, 3p
1 Neozed D02, 3p
1 RCCB 63/0.03A, 4p

Cable entry at top and bottom:

1x M12, 1x M20, 2x M40

Connection option:

for 2 cables up to 5 x 25 mm²

Item
05

VARIABOX -L DUO

Order no. **89987**



Components:

10 schuko-type sockets 16A, 230V
1 CEE socket 16A, 400V, 5p
1 CEE socket 32A, 400V, 5p

Fuse:

10 C-type MCBs 16A, 1p
1 C-type MCB 16A, 3p
1 C-type MCB 32A, 3p
1 RCCB 63/0.03A, 4p

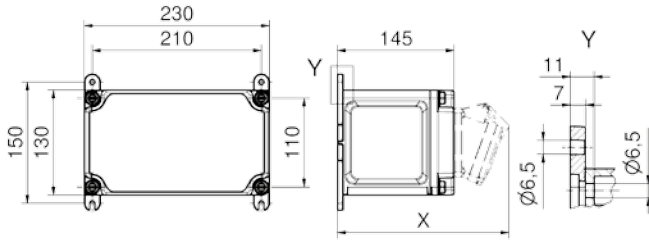
Cable entry at top and bottom:

each with 1x M12, 1x M20, 2x M40

Connection option:

for 2 cables up to 5 x 25 mm²

Item
06



- Dimension of housing: 130 x 230 mm
- Housing made of high-grade, impact-resistant plastic
- Top and bottom can be sealed together
- With external and internal fastening
- Permanently attached cover screws
- Top section straight, CEE sockets angled
- All CEE sockets with screwless, maintenance-free QUICK-CONNECT technology
- Colours: bottom - black, top - electro-grey (housing top optionally available in the colours yellow, red, blue or silver)
- Accessories: see page 161

Tiefenmaß X (in mm)

Bezeichnung	IP44	IP67	Bezeichnung	IP44	IP67
OTC-Klappe	180	180	CEE 16A 5p	207	205
Schutzk.-Steckdose	162	205	CEE 32A 3p/4p	211	213
CEE 16A 3p	200	200	CEE 32A 5p	213	214
CEE 16A 4p	204	202	CEE 63A 3p/4p/5p	229	231

30 MB 208

VARIABOX-S IP67

Order no. **890919**

Components:
2 schuko-type sockets 16A, 230V

Cable entry at top and bottom:
each with 1x M12, 1x M20, 2x M25

Connection option:
for 1 cable up to 3 x 4 mm²



Item
01

VARIABOX-S IP67

Order no. **890920**

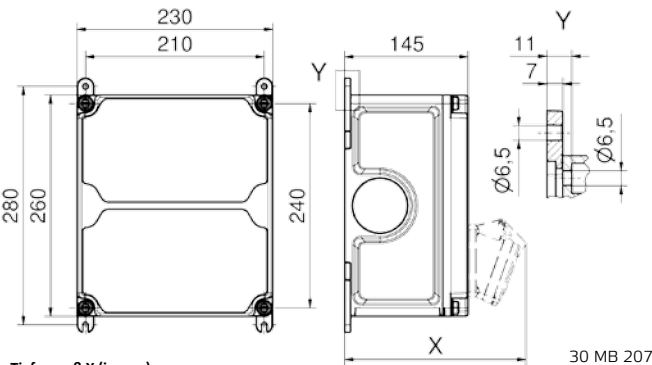
Components:
1 schuko-type socket 16A, 230V
1 CEE socket 16A, 400V, 5p

Cable entry at top and bottom:
each with 1x M12, 1x M20, 2x M25

Connection option:
for 1 cable up to 5 x 4 mm²



Item
02



Tiefenmaß X (in mm)

Bezeichnung	IP44	IP67	Bezeichnung	IP44	IP67
OTC-Klappe	180	180	CEE 16A 5p	207	205
Schutzk.-Steckdose	162	205	CEE 32A 3p/4p	211	213
CEE 16A 3p	200	200	CEE 32A 5p	213	214
CEE 16A 4p	204	202	CEE 63A 3p/4p/5p	229	231

30 MB 207

- Dimension of housing: 260 x 230 mm
- Housing made of high-grade, impact-resistant plastic
- Hinged lid
- Top and bottom can be sealed together
- With external and internal fastening
- User-friendly OTC operating window
- Permanently attached cover screws
- Coded flange plate system for maximum safety during initial installation and maintenance
- Top section straight, CEE sockets angled
- All CEE sockets with screwless, maintenance-free QUICK-CONNECT technology
- Colours: bottom - black, top - electro-grey (housing top optionally available in the colours yellow, red, blue or silver)
- Accessories: see page 161

VARIABOX-M IP67

Order no. **890921**

Components:
1 schuko-type socket 16A, 230V
1 CEE socket 16A, 400V, 5p

Fuse:
1 C-type MCB 16A, 1p
1 C-type MCB 16A, 3p
1 RCCB 40/0.03A, 4p

Cable entry at top and bottom:
each with 1x M12, 1x M20, 2x M40

Connection option:
for 2 cables up to 5 x 25 mm²



Item
03

VARIABOX-M IP67

Order no. **890922**

Components:
1 schuko-type socket 16A, 230V
1 CEE socket 32A, 400V, 5p

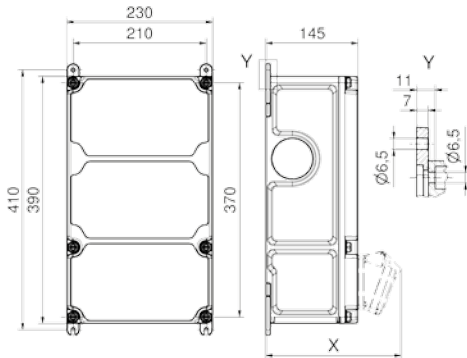
Fuse:
1 C-type MCB 16A, 1p
1 C-type MCB 32A, 3p
1 RCCB 40/0.03A, 4p

Cable entry at top and bottom:
each with 1x M12, 1x M20, 2x M40

Connection option:
for 2 cables up to 5 x 25 mm²



Item
04



30 MB 206

Tiefenmaß X (in mm)

Bezeichnung	IP44	IP67	Bezeichnung	IP44	IP67
OTC-Klappe	180	180	CEE 16A 5p	207	205
Schutzk.-Steckdose	162	205	CEE 32A 3p/4p	211	213
CEE 16A 3p	200	200	CEE 32A 5p	213	214
CEE 16A 4p	204	202	CEE 63A 3p/4p/5p	229	231

- Dimension of housing: 390 x 230 mm
- Housing made of high-grade, impact-resistant plastic
- Hinged lid
- Top and bottom can be sealed together
- With external and internal fastening
- User-friendly OTC operating window
- Permanently attached cover screws
- Coded flange plate system for maximum safety during initial installation and maintenance
- Top section straight, CEE sockets angled
- All CEE sockets with screwless, maintenance-free QUICK-CONNECT technology
- Colours: bottom - black, top - electro-grey
(housing top optionally available in the colours yellow, red, blue or silver)
- Accessories: see page 161

VARIABOX-L IP67

Order no. **890923**



Item
01

Components:

2 schuko-type sockets 16A, 230V
1 CEE socket 16A, 400V, 5p
1 CEE socket 32A, 400V, 5p

Fuse:

2 C-type MCBs 16A, 1p
1 C-type MCB 16A, 3p
1 RCCB 40/0.03A, 4p

Cable entry at top and bottom:

each with 1x M12, 1x M20, 2x M40

Connection option:

for 2 cables up to 5 x 25 mm²

VARIABOX-L IP67

Order no. **890924**



Item
02

Components:

2 schuko-type sockets 16A, 230V
1 CEE socket 16A, 400V, 5p
1 CEE socket 32A, 400V, 5p

Fuse:

2 C-type MCBs 16A, 1p
1 C-type MCB 16A, 3p
1 C-type MCB 32A, 3p

Cable entry at top and bottom:

each with 1x M12, 1x M20, 2x M40

Connection option:

for 2 cables up to 5 x 25 mm²

VARIABOX-L IP67

Order no. **890925**



Item
03

Components:

3 schuko-type sockets 16A, 230V
1 CEE socket 16A, 400V, 5p

Fuse:

3 C-type MCBs 16A, 1p
1 C-type MCB 16A, 3p
1 RCCB 40/0.03A, 4p

Cable entry at top and bottom:

each with 1x M12, 1x M20, 2x M40

Connection option:

for 2 cables up to 5 x 25 mm²

VARIABOX-L IP67

Order no. **890926**



Item
04

Components:

3 schuko-type sockets 16A, 230V
1 CEE socket 32A, 400V, 5p

Fuse:

3 C-type MCBs 16A, 1p
1 C-type MCB 32A, 3p
1 RCCB 40/0.03A, 4p

Cable entry at top and bottom:

each with 1x M12, 1x M20, 2x M40

Connection option:

for 2 cables up to 5 x 25 mm²

VARIABOX-L IP67

Order no. **890927**



Item
05

Components:

2 schuko-type sockets 16A, 230V
2 CEE sockets 16A, 400V, 5p

Fuse:

2 C-type MCBs 16A, 1p
2 C-type MCBs 16A, 3p

Cable entry at top and bottom:

each with 1x M12, 1x M20, 2x M40

Connection option:

for 2 cables up to 5 x 25 mm²

VARIABOX-L IP67

Order no. **890928**



Item
06

Components:

2 schuko-type sockets 16A, 230V
2 CEE sockets 32A, 400V, 5p

Fuse:

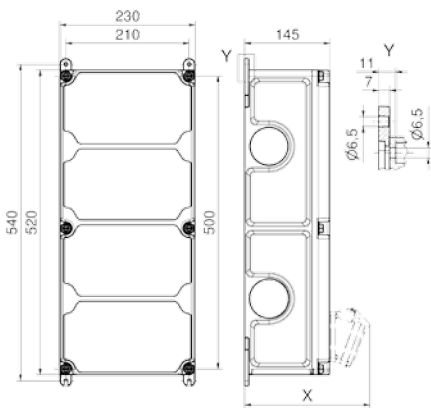
2 C-type MCBs 16A, 1p
2 C-type MCBs 32A, 3p

Cable entry at top and bottom:

each with 1x M12, 1x M20, 2x M40

Connection option:

for 2 cables up to 5 x 25 mm²



Tiefenmaß X (in mm)		
Bezeichnung	IP44	IP67
OTC-Klappe	180	180
Schutzk-Steckdose	162	205
CEE 16A 3p	200	200
CEE 16A 4p	204	202
CEE 16A 5p	207	205
CEE 32A 3p/4p	211	213
CEE 32A 5p	213	214
CEE 63A 3p/4p/5p	229	231

- Dimension of housing: 520 x 230 mm
- Housing made of high-grade, impact-resistant plastic
- Hinged lid
- Top and bottom can be sealed together
- With external and internal fastening
- User-friendly OTC operating window
- Permanently attached cover screws
- Coded flange plate system for maximum safety
- during initial installation and maintenance
- Top section straight, CEE sockets angled
- All CEE sockets with screwless, maintenance-free QUICK-CONNECT technology
- Colours: bottom - black, top - electro-grey (housing top optionally available in the colours yellow, red, blue or silver)
- Accessories: see page 161

30 MB 205

VARIABOX-XL IP67

Order no. **890929**



Components:

2 schuko-type sockets 16A, 230V
1 CEE socket 16A, 400V, 5p
1 CEE socket 32A, 400V, 5p

Fuse:

2 C-type MCBs 16A, 1p
1 C-type MCB 16A, 3p
1 C-type MCB 32A, 3p
1 RCCB 40/0.03A, 4p

Cable entry at top and bottom:

each with 1x M12, 1x M20, 2x M40

Connection option:

for 2 cables up to 5 x 25 mm²

Item
01

VARIABOX-XL IP67

Order no. **890930**



Components:

2 schuko-type sockets 16A, 230V
1 CEE socket 16A, 400V, 5p
1 CEE socket 32A, 400V, 5p

Fuse:

2 C-type MCBs 16A, 1p
1 C-type MCB 16A, 3p
1 C-type MCB 32A, 3p
1 RCCB 63/0.03A, 4p

Cable entry at top and bottom:

each with 1x M12, 1x M20, 2x M40

Connection option:

for 2 cables up to 5 x 25 mm²

Item
02

VARIABOX-XL IP67

Order no. **890931**



Components:

3 schuko-type sockets 16A, 230V
1 CEE socket 16A, 400V, 5p
1 CEE socket 32A, 400V, 5p

Fuse:

3 C-type MCBs 16A, 1p
1 C-type MCB 16A, 3p
1 C-type MCB 32A, 3p
1 RCCB 63/0.03A, 4p

Cable entry at top and bottom:

each with 1x M12, 1x M20, 2x M40

Connection option:

for 2 cables up to 5 x 25 mm²

Item
03

VARIABOX-XL IP67

Order no. **890932**



Components:

2 schuko-type sockets 16A, 230V
2 CEE sockets 16A, 400V, 5p

Fuse:

2 C-type MCBs 16A, 1p
2 C-type MCBs 16A, 3p
1 RCCB 40/0.03A, 4p

Cable entry at top and bottom:

each with 1x M12, 1x M20, 2x M40

Connection option:

for 2 cables up to 5 x 25 mm²

Item
04

VARIABOX-XL IP67

Order no. **890933**



Components:

2 schuko-type sockets 16A, 230V
2 CEE sockets 32A, 400V, 5p

Fuse:

2 C-type MCBs 16A, 1p
2 C-type MCBs 32A, 3p
1 RCCB 63/0.03A, 4p

Cable entry at top and bottom:

each with 1x M12, 1x M20, 2x M40

Connection option:

for 2 cables up to 5 x 25 mm²

Item
05

VARIABOX-XL IP67

Order no. **890934**



Components:

3 schuko-type sockets 16A, 230V
2 CEE sockets 16A, 400V, 5p

Fuse:

3 C-type MCBs 16A, 1p
2 C-type MCBs 16A, 3p
1 RCCB 40/0.03A, 4p

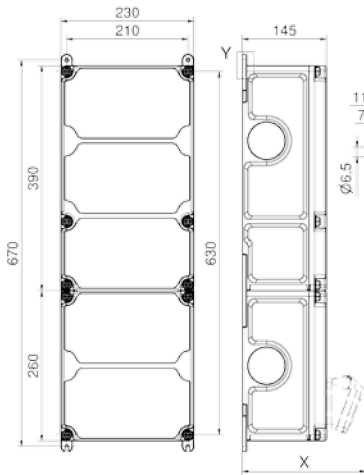
Cable entry at top and bottom:

each with 1x M12, 1x M20, 2x M40

Connection option:

for 2 cables up to 5 x 25 mm²

Item
06



Tiefenmaß X (in mm)		
Bezeichnung	IP44	IP67
OTC-Klappe	180	180
Schutz-Steckdose	162	205
CEE 16A 3p	200	200
CEE 16A 4p	204	202
CEE 16A 5p	207	205
CEE 32A 3p/4p	211	213
CEE 32A 5p	213	214
CEE 63A 3p/4p/5p	229	231

30 MB 204

- Dimension of housing: 650 x 230 mm
- Housing made of high-grade, impact-resistant plastic
- Hinged lid
- Top and bottom can be sealed together
- With external and internal fastening
- User-friendly OTC operating window
- Permanently attached cover screws
- Coded flange plate system for maximum safety during initial installation and maintenance
- Top section straight, CEE sockets angled
- All CEE sockets with screwless, maintenance-free QUICK-CONNECT technology
- Colours: bottom - black, top - electro-grey (housing top optionally available in the colours yellow, red, blue or silver)
- Accessories: see page 161

VARIABOX-XXL IP67

Order no. **890935**



Item
01

Components:

2 schuko-type sockets 16A, 230V
1 CEE socket 16A, 400V, 5p
1 CEE socket 32A, 400V, 5p
1 CEE socket 63A, 400V, 5p

Fuse:

2 C-type MCBs 16A, 1p
1 C-type MCB 16A, 3p
1 C-type MCB 32A, 3p
1 RCCB 63/0.03A, 4p

Cable entry at top and bottom:

each with 1x M12, 1x M20, 2x M40

Connection option:

for 2 cables up to 5 x 25 mm²

VARIABOX-XXL IP67

Order no. **890936**



Item
02

Components:

3 schuko-type sockets 16A, 230V
2 CEE sockets 16A, 400V, 5p
1 CEE socket 32A, 400V, 5p

Fuse:

3 C-type MCBs 16A, 1p
2 C-type MCBs 16A, 3p
1 C-type MCB 32A, 3p
1 RCCB 63/0.03A, 4p

Cable entry at top and bottom:

each with 1x M12, 1x M20, 2x M40

Connection option:

for 2 cables up to 5 x 25 mm²

VARIABOX-XXL IP67

Order no. **890937**



Item
03

Components:

3 schuko-type sockets 16A, 230V
1 CEE socket 16A, 400V, 5p
1 CEE socket 32A, 400V, 5p
1 CEE socket 63A, 400V, 5p

Fuse:

3 C-type MCBs 16A, 1p
1 C-type MCB 16A, 3p
1 C-type MCB 32A, 3p
1 RCCB 63/0.03A, 4p

Cable entry at top and bottom:

each with 1x M12, 1x M20, 2x M40

Connection option:

for 2 cables up to 5 x 25 mm²

VARIABOX-XXL IP67

Order no. **890938**



Item
04

Components:

3 schuko-type sockets 16A, 230V
1 CEE socket 16A, 400V, 5p
2 CEE sockets 32A, 400V, 5p

Fuse:

3 C-type MCBs 16A, 1p
1 C-type MCB 16A, 3p
2 C-type MCBs 32A, 3p
1 RCCB 63/0.03A, 4p

Cable entry at top and bottom:

each with 1x M12, 1x M20, 2x M40

Connection option:

for 2 cables up to 5 x 25 mm²

VARIABOX-XXL IP67

Order no. **890939**



Item
05

Components:

2 schuko-type sockets 16A, 230V
2 CEE sockets 16A, 400V, 5p
1 CEE socket 32A, 400V, 5p
1 CEE socket 63A, 400V, 5p

Fuse:

1 C-type MCB 16A, 1p
2 C-type MCBs 16A, 3p
1 C-type MCB 32A, 3p
1 RCCB 63/0.03A, 4p

Cable entry at top and bottom:

each with 1x M12, 1x M20, 2x M40

Connection option:

for 2 cables up to 5 x 25 mm²

VARIABOX-XXL IP67

Order no. **890940**



Item
06

Components:

2 schuko-type sockets 16A, 230V
1 CEE socket 16A, 400V, 5p
1 CEE socket 32A, 400V, 5p
1 CEE socket 63A, 400V, 5p

Fuse:

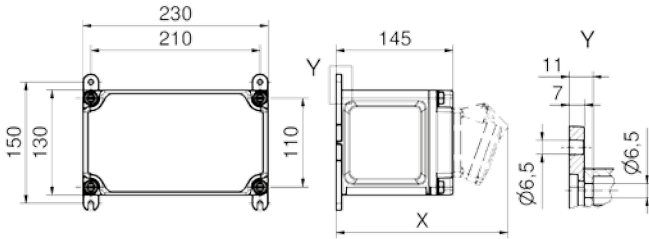
2 C-type MCBs 16A, 1p
1 C-type MCB 16A, 3p
1 C-type MCB 32A, 3p
1 C-type MCB 63A, 3p
1 RCCB 63/0.03A, 4p

Cable entry at top and bottom:

each with 1x M12, 1x M20, 2x M40

Connection option:

for 2 cables up to 5 x 25 mm²



- Dimension of housing: 130 x 230 mm
- Suitable for harsh and/or aggressive environments
- Housing made of high-grade, impact-resistant plastic
- High chemical resistance
- Top and bottom can be sealed together
- With external and internal fastening
- Permanently attached cover screws
- Top section straight, CEE sockets angled
- Sockets with high temperature resistant contact carriers and nickel-plated contacts
- All CEE sockets with screwless, maintenance-free QUICK-CONNECT technology
- Accessories: see page 161

Tiefenmaß X (in mm)

30 MB 208

Bezeichnung	IP44	IP67	Bezeichnung	IP44	IP67
OTC-Klappe	180	180	CEE 16A 5p	207	205
Schutzk.-Steckdose	162	205	CEE 32A 3p/4p	211	213
CEE 16A 3p	200	200	CEE 32A 5p	213	214
CEE 16A 4p	204	202	CEE 63A 3p/4p/5p	229	231

VARIABOX-S Plus

Order no. **89183**

Components:

3 schuko-type sockets 16A, 230V

Cable entry at top and bottom:

each with 1x M12, 1x M20, 2x M25

Connection option:

for 1 cable up to 5 x 6 mm²



Item
01

VARIABOX-S Plus

Order no. **89184**

Components:

2 schuko-type sockets 16A, 230V
1 CEE socket 16A, 400V, 5p, glv/Ni

Cable entry at top and bottom:

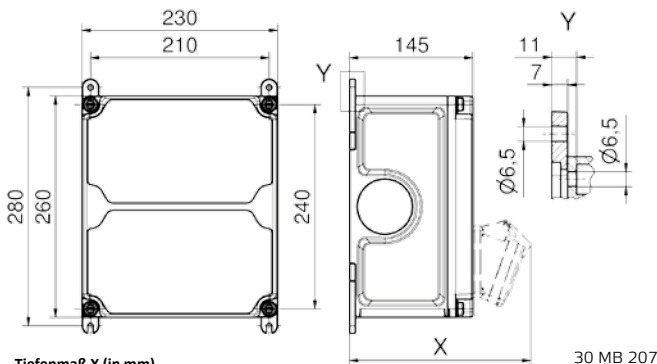
each with 1x M12, 1x M20, 2x M25

Connection option:

for 1 cable up to 5 x 6 mm²



Item
02



30 MB 207

Tiefenmaß X (in mm)

Bezeichnung	IP44	IP67	Bezeichnung	IP44	IP67
OTC-Klappe	180	180	CEE 16A 5p	207	205
Schutzk.-Steckdose	162	205	CEE 32A 3p/4p	211	213
CEE 16A 3p	200	200	CEE 32A 5p	213	214
CEE 16A 4p	204	202	CEE 63A 3p/4p/5p	229	231

- Dimension of housing: 260 x 230 mm
- Suitable for harsh and/or aggressive environments
- Housing made of high-grade, impact-resistant plastic
- High chemical resistance
- Hinged lid
- Top and bottom can be sealed together
- User-friendly OTC operating window
- With external and internal fastening
- Permanently attached cover screws
- Coded flange plate system for maximum safety during initial installation and maintenance
- Top section straight, CEE sockets angled
- Sockets with high temperature resistant contact carriers and nickel-plated contacts
- All CEE sockets have screwless, maintenance-free QUICK-CONNECT connection technology
- Accessories: see page 161

VARIABOX-M Plus

Order no. **89190**

Components:

2 schuko-type sockets 16A, 230V
1 CEE socket 16A, 400V, 5p, glv/Ni

Fuse:

2 C-type MCBs 16A, 1p
1 C-type MCB 16A, 3p
1 RCCB 40/0.03A, 4p

Cable entry at top and bottom:

each with 1x M12, 1x M20, 2x M40

Connection option:

for 2 cables up to 5 x 25 mm²



Item
03

VARIABOX-M Plus

Order no. **89191**

Components:

2 schuko-type sockets 16A, 230V
1 CEE socket 32A, 400V, 5p, glv/Ni

Fuse:

2 C-type MCBs 16A, 1p
1 C-type MCB 32A, 3p
1 RCCB 40/0.03A, 4p

Cable entry at top and bottom:

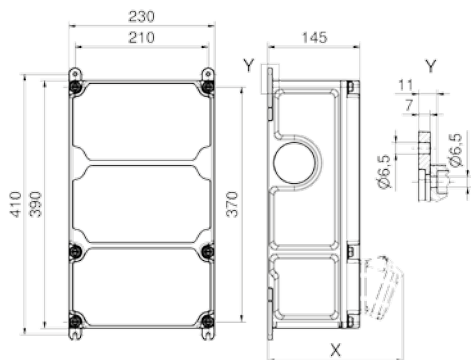
each with 1x M12, 1x M20, 2x M40

Connection option:

for 2 cables up to 5 x 25 mm²



Item
04



Tiefenmaß X (in mm)

Bezeichnung	IP44	IP67	Bezeichnung	IP44	IP67
OTC-Klappe	180	180	CEE 16A 5p	207	205
Schutzk.-Steckdose	162	205	CEE 32A 3p/4p	211	213
CEE 16A 3p	200	200	CEE 32A 5p	213	214
CEE 16A 4p	204	202	CEE 63A 3p/4p/5p	229	231

30 MB 206

- Dimension of housing: 390 x 230 mm
- Suitable for harsh and/or aggressive environments
- Housing made of high-grade, impact-resistant plastic
- High chemical resistance
- Hinged lid
- User-friendly OTC operating window
- Top and bottom can be sealed together
- With external and internal fastening
- Permanently attached cover screws
- Coded flange plate system for maximum safety during initial installation and maintenance
- Top section straight, CEE sockets angled
- Sockets with high temperature resistant contact carriers and nickel-plated contacts
- All CEE sockets with screwless, maintenance-free QUICK-CONNECT technology
- Accessories: see page 161

VARIABOX-L Plus

Order no. **89193**



Item
01

Components:

2 schuko-type sockets 16A, 230V
2 CEE sockets 16A, 400V, 5p, glv/Ni

Fuse:

2 C-type MCBs 16A, 1p
2 C-type MCBs 16A, 3p
1 RCCB 40/0.03A, 4p

Cable entry at top and bottom:

each with 1x M12, 1x M20, 2x M40

Connection option:

for 2 cables up to 5 x 25 mm²

VARIABOX-L Plus

Order no. **89197**



Item
02

Components:

2 schuko-type sockets 16A, 230V
1 CEE socket 16A, 400V, 5p, glv/Ni
1 CEE socket 32A, 400V, 5p, glv/Ni

Fuse:

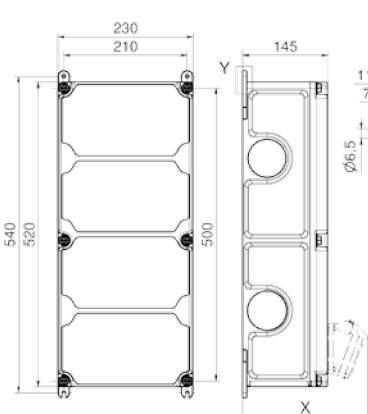
2 C-type MCBs 16A, 1p
1 C-type MCB 16A, 3p
1 C-type MCB 32A, 3p
1 RCCB 40/0.03A, 4p

Cable entry at top and bottom:

each with 1x M12, 1x M20, 2x M40

Connection option:

for 2 cables up to 5 x 25 mm²



Tiefenmaß X (in mm)

Bezeichnung	IP44	IP67
OTC-Klappe	180	180
Schutzk.-Steckdose	162	205
CEE 16A 3p	200	200
CEE 16A 4p	204	202
CEE 16A 5p	207	205
CEE 32A 3p/4p	211	213
CEE 32A 5p	213	214
CEE 63A 3p/4p/5p	229	231

30 MB 205

- Dimension of housing: 520 x 230 mm
- Suitable for harsh and/or aggressive environments
- Housing made of high-grade, impact-resistant plastic
- High chemical resistance
- Hinged lid
- User-friendly OTC operating window
- Top and bottom can be sealed together
- With external and internal fastening
- Permanently attached cover screws
- Coded flange plate system for maximum safety during initial installation and maintenance
- Top section straight, CEE sockets angled
- Sockets with high temperature resistant contact carriers and nickel-plated contacts
- All CEE sockets with screwless, maintenance-free QUICK-CONNECT technology
- Accessories: see page 161

VARIABOX-XL Plus

Order no. **89200**



Item
03

Components:

3 schuko-type sockets 16A, 230V
2 CEE sockets 32A, 400V, 5p, glv/Ni

Fuse:

3 C-type MCBs 16A, 1p
2 C-type MCBs 32A, 3p
1 RCCB 63/0.03A, 4p

Cable entry at top and bottom:

each with 1x M12, 1x M20, 2x M40

Connection option:

for 2 cables up to 5 x 25 mm²

VARIABOX-XL Plus

Order no. **89203**



Item
04

Components:

3 schuko-type sockets 16A, 230V
1 CEE socket 16A, 400V, 5p, glv/Ni
1 CEE socket 32A, 400V, 5p, glv/Ni

Fuse:

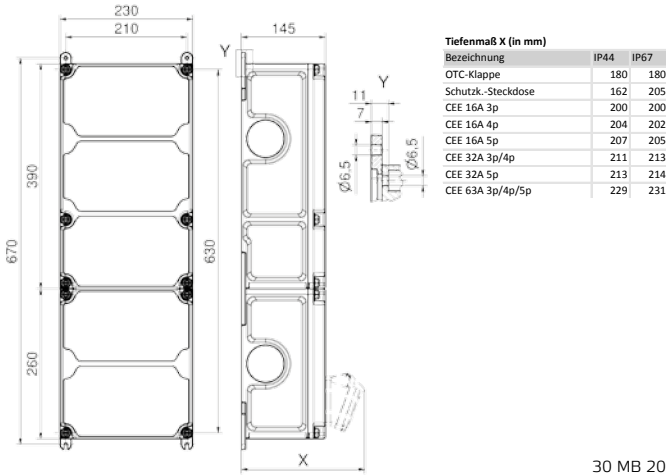
3 C-type MCBs 16A, 1p
1 C-type MCB 16A, 3p
1 C-type MCB 32A, 3p
1 RCCB 63/0.03A, 4p

Cable entry at top and bottom:

each with 1x M12, 1x M20, 2x M40

Connection option:

for 2 cables up to 5 x 25 mm²



- Dimension of housing: 650 x 230 mm
- Suitable for harsh and/or aggressive environments
- Housing made of high-grade, impact-resistant plastic
- High chemical resistance
- Hinged lid
- User-friendly OTC operating window
- Top and bottom can be sealed together
- With external and internal fastening
- Permanently attached cover screws
- Coded flange plate system for maximum safety during initial installation and maintenance
- Top section straight, CEE sockets angled
- Sockets with high temperature resistant contact carriers and nickel-plated contacts
- All CEE sockets with screwless, maintenance-free QUICK-CONNECT technology
- Accessories: see page 161

VARIABOX-XXL Plus

Order no. **89207**



Components:

4 schuko-type sockets 16A, 230V
2 CEE sockets 16A, 400V, 5p, glv/Ni
1 CEE socket 32A, 400V, 5p, glv/Ni

Fuse:

4 C-type MCBs 16A, 1p
2 C-type MCBs 16A, 3p
1 C-type MCB 32A, 3p
1 RCCB 63/0.03A, 4p

Cable entry at top and bottom:

each with 1x M12, 1x M20, 2x M40

Connection option:

for 2 cables up to 5 x 25 mm²

Item
01

VARIABOX-XXL Plus

Order no. **89209**



Components:

4 schuko-type sockets 16A, 230V
1 CEE socket 16A, 400V, 5p, glv/Ni
1 CEE socket 32A, 400V, 5p, glv/Ni
1 CEE socket 63A, 400V, 5p, glv/Ni

Fuse:

4 C-type MCBs 16A, 1p
1 C-type MCB 16A, 3p
1 C-type MCB 32A, 3p
1 RCCB 63/0.03A, 4p

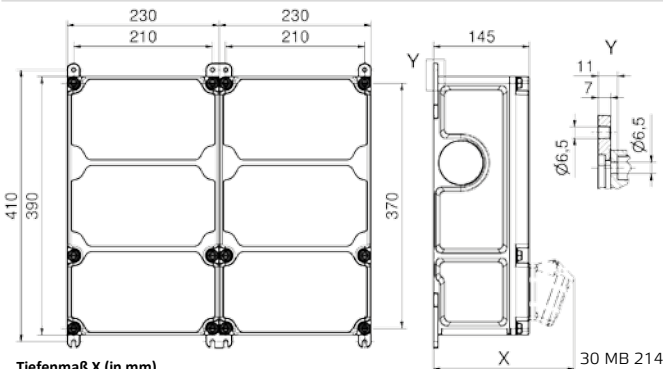
Cable entry at top and bottom:

each with 1x M12, 1x M20, 2x M40

Connection option:

for 2 cables up to 5 x 25 mm²

Item
02



- Dimension of housing: 390 x 460 mm
- Suitable for harsh and/or aggressive environments
- Housing made of high-grade, impact-resistant plastic
- Hinged lid
- High chemical resistance
- User-friendly OTC operating window
- Top and bottom can be sealed together
- With external and internal fastening
- Permanently attached cover screws
- Coded flange plate system for maximum safety during initial installation and maintenance
- Top section straight, CEE sockets angled
- Sockets with high temperature resistant contact carriers and nickel-plated contacts
- All CEE sockets with screwless, maintenance-free QUICK-CONNECT technology
- Accessories: see page 161

VARIABOX-L DUO Plus

Order no. **890863**



Components:

4 schuko-type sockets 16A, 230V
2 CEE sockets 16A, 400V, 5p, glv/Ni
1 CEE socket 32A, 400V, 5p, glv/Ni

Fuse:

4 fuse bases D01, 1p
2 fuse bases D01, 3p
1 fuse base D02, 3p
1 RCCB 63/0.03A, 4p

Cable entry at top and bottom:

each with 1x M12, 1x M20, 2x M40

Connection option:

for 2 cables up to 5 x 25 mm²

Item
03

VARIABOX-L DUO Plus

Order no. **890864**



Components:

6 schuko-type sockets 16A, 230V
1 CEE socket 16A, 400V, 5p, glv/Ni
1 CEE socket 32A, 400V, 5p, glv/Ni
1 CEE socket 63A, 400V, 5p, glv/Ni

Fuse:

3 fuse bases D01, 1p
1 fuse base D01, 3p
1 fuse base D02, 3p
1 RCCB 63/0.03A, 4p

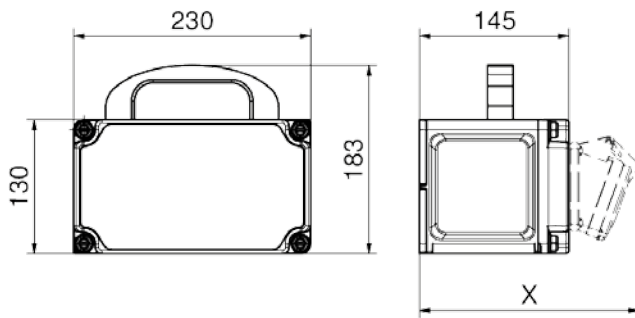
Cable entry at top and bottom:

each with 1x M12, 1x M20, 2x M40

Connection option:

for 2 cables up to 5 x 25 mm²

Item
04



Tiefenmaß X (in mm)			30 MB 208		
Bezeichnung	IP44	IP67	Bezeichnung	IP44	IP67
OTC-Klappe	180	180	CEE 16A 5p	207	205
Schutzk.-Steckdose	162	205	CEE 32A 3p/4p	211	213
CEE 16A 3p	200	200	CEE 32A 5p	213	214
CEE 16A 4p	204	202	CEE 63A 3p/4p/5p	229	231

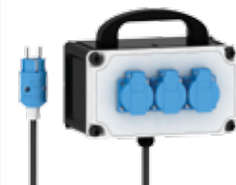
- Dimension of housing: 130 x 230 mm
- With high quality handle
- Housing made of high-grade, impact-resistant plastic
- Top and bottom can be sealed together
- Permanently attached cover screws
- Top section straight, CEE sockets angled
- All CEE sockets with screwless, maintenance-free QUICK-CONNECT technology
- Colours: bottom - black, top - electro-grey (housing top optionally available in the colours yellow, red, blue or silver)
- Accessories: see page 161

VARIABOX-S Mobil

Order no. **85000**

Components:
3 schuko-type sockets 16A, 230V

Cable entry:
Schuko-type plug 16A, 230V
with 2 m lead H07RN-F3G2,5



Item
01

VARIABOX-S Mobil

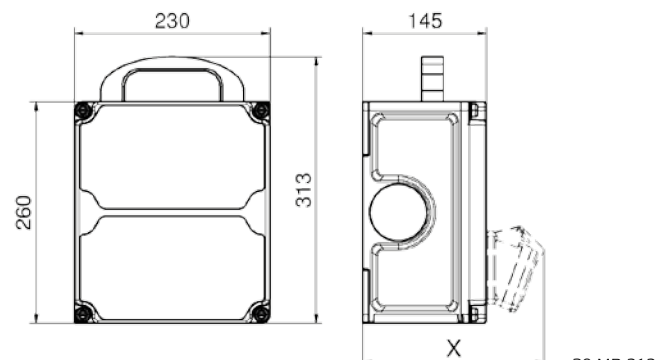
Order no. **85006**

Components:
2 schuko-type sockets 16A, 230V
1 CEE socket 16A, 400V, 5p

Cable entry:
CEE plug 16A, 400V, 5p with
2 m cable H07RN-F5G2,5



Item
02



Tiefenmaß X (in mm)			30 MB 212		
Bezeichnung	IP44	IP67	Bezeichnung	IP44	IP67
OTC-Klappe	180	180	CEE 16A 5p	207	205
Schutzk.-Steckdose	162	205	CEE 32A 3p/4p	211	213
CEE 16A 3p	200	200	CEE 32A 5p	213	214
CEE 16A 4p	204	202	CEE 63A 3p/4p/5p	229	231

- Dimension of housing: 260 x 230 mm
- With high quality handle
- Housing made of high-grade, impact-resistant plastic
- Top and bottom can be sealed together
- User-friendly OTC operating window
- Permanently attached cover screws
- Coded flange plate system for maximum safety during initial installation and maintenance
- Top section straight, CEE sockets angled
- All CEE sockets with screwless, maintenance-free QUICK-CONNECT technology
- Colours: bottom - black, top - electro-grey (housing top optionally available in the colours yellow, red, blue or silver)
- Accessories: see page 161

VARIABOX-M Mobil

Order no. **85007**

Components:
2 schuko-type sockets 16A, 230V
1 CEE socket 16A, 400V, 5p

Fuse:
2 C-type MCBs 16A, 1p
1 C-type MCB 16A, 3p
1 RCCB 40/0.03A, 4p

Cable entry:
CEE plug 32A, 400V, 5p with
2 m cable H07RN-F5G4



Item
03

VARIABOX-M Mobil

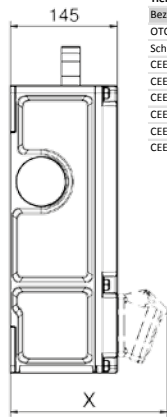
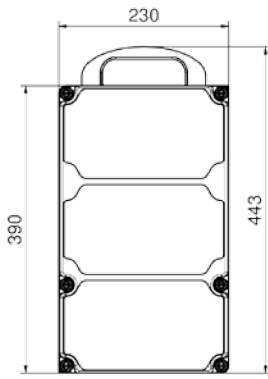
Order no. **85002**

Components:
3 schuko-type sockets 16A, 230V
2 CEE sockets 16A, 400V, 5p

Cable entry:
CEE plug 16A, 400V, 5p with
2 m cable H07RN-F5G2,5



Item
04



Tiefenmaß X (in mm)	IP44	IP67
OTC-Klappe	180	180
Schutzk.-Steckdose	162	205
CEE 16A 3p	200	200
CEE 16A 4p	204	202
CEE 16A 5p	207	205
CEE 32A 3p/4p	211	213
CEE 32A 5p	213	214
CEE 63A 3p/4p/5p	229	231

- Dimension of housing: 390 x 230 mm
- With high quality handle
- Housing made of high-grade, impact-resistant plastic
- Top and bottom can be sealed together
- User-friendly OTC operating window
- Permanently attached cover screws
- Coded flange plate system for maximum safety during initial installation and maintenance
- Top section straight, CEE sockets angled
- All CEE sockets with screwless, maintenance-free QUICK-CONNECT technology
- Colours: bottom - black, top - electro-grey (housing top optionally available in the colours yellow, red, blue or silver)
- Accessories: see page 161

30 MB 211

VARIABOX-L Mobil

Order no. **85008**



Item
01

- Components:**
2 schuko-type sockets 16A, 230V
1 CEE socket 16A, 400V, 5p
1 CEE socket 32A, 400V, 5p
- Fuse:**
2 C-type MCBs 16A, 1p
1 C-type MCB 16A, 3p
1 RCCB 40/0.03A, 4p
- Cable entry:**
CEE plug 32A, 400V, 5p with
2 m cable H07RN-F5G6

VARIABOX-L Mobil

Order no. **85036**



Item
02

- Components:**
6 schuko-type sockets 16A, 230V
- Fuse:**
6 C-type MCBs 16A, 1p
1 RCCB 40/0.03A, 4p
- Cable entry:**
CEE plug 32A, 400V, 5p with
2 m cable H07RN-F5G4

VARIABOX-L Mobil

Order no. **85009**



Item
03

- Components:**
3 schuko-type sockets 16A, 230V
1 CEE socket 16A, 400V, 5p
1 CEE socket 32A, 400V, 5p
- Fuse:**
3 C-type MCBs 16A, 1p
1 C-type MCB 16A, 3p
1 RCCB 40/0.03A, 4p
- Cable entry:**
CEE plug 32A, 400V, 5p with
2 m cable H07RN-F5G6

VARIABOX-L Mobil

Order no. **85016**



Item
04

- Components:**
3 schuko-type sockets 16A, 230V
1 CEE socket 16A, 400V, 5p
- Fuse:**
3 C-type MCBs 16A, 1p
1 C-type MCB 16A, 3p
1 RCCB 40/0.03A, 4p
- Cable entry:**
CEE plug 32A, 400V, 5p with
2 m cable H07RN-F5G4

VARIABOX-L Mobile

Order no. **85034**



Item
05

- Components:**
4 schuko-type sockets 16A, 230V
1 CEE socket 16A, 400V, 5p
1 CEE socket 32A, 400V, 5p
- Fuse:**
4 C-type MCBs 16A, 1p
1 C-type MCB 16A, 3p
1 RCCB 40/0.03A, 4p
- Cable entry:**
CEE plug 32A, 400V, 5p with
2 m cable H07RN-F5G6

VARIABOX-L Mobile

Order no. **85005**



Item
06

- Components:**
6 schuko-type sockets 16A, 230V
- Fuse:**
1 RCCB 40/0.03A, 4p
- Cable entry:**
CEE plug 16A, 400V, 5p with
2 m cable H07RN-F5G2,5

Cable gland

- Black
- Protection degree IP67



Item
01

	Thread	Sealing range	Order no.
	M12	3-6 mm	580647
	M20	8-13 mm	580648
	M25	11-17 mm	580649
	M32	15-21 mm	580650
	M40	19-28 mm	580651
Multiple sealing insert	for M25	2x8 mm	580652
	for M32	4x8 mm	580653

Cable gland with pressure equalisation

The use of pressure equalisation cable glands allows the internal pressure to adjust to the ambient pressure. The type-tested protection degree of the housing is fully retained. Temperature fluctuations, intense sunlight, or a sudden change in weather can cause condensation to form in combination housings. Basically, condensation can form in all sealed combination housings. The higher the protection degree is, the more likely the formation of condensation will be. We therefore recommend, especially in the case of distributors with protection degree IP67, the use of pressure equalisation cable glands.



Item
02

- Minimised condensation formation and therefore reduction in downtimes and time-consuming and expensive repair work
- No expensive and high-maintenance ventilation technology required
- No drip holes which reduce the level of protection
- With air ducts for pressure equalisation
- black
- Protection degree IP67

	Thread	Sealing range	Order no.
	M20	6-13 mm	580656
	M25	9-17 mm	580657
	M32	13-21 mm	580658
	M40	16-28 mm	580659

Mounting set



Item
03

- For VARIABOX S - XL
 - Consisting of:
4 screws 6 x 60 mm
4 screw anchors 8 x 51 mm
- Order no. **580640**
- For VARIABOX XXL
 - Consisting of:
6 screws 6 x 60 mm
6 screw anchors 8 x 51 mm
- Order no. **580727**

Lock set



Item
04

- For OTC window
 - With long shackle and 2 keys
- Order no. **580642**

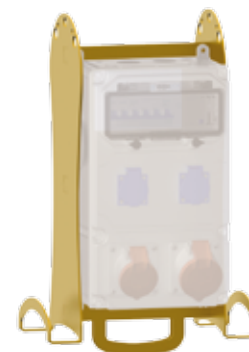
Portable stand



Item
05

- For VARIABOX M, L, XL
 - Hot-dip galvanised steel tubing
 - Folding
 - Weight 4 kg
 - Dimensions: 350/570 x 780 x 540 mm
- (W x H x D)
- Order no. **580643**

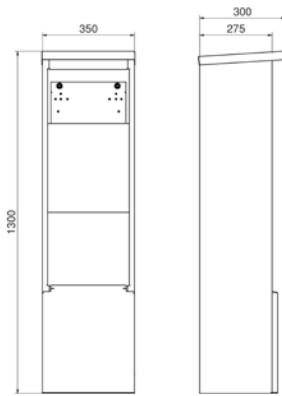
Wall mounted unit



Item
06

- For VARIABOX M and L
 - Colour yellow, RAL 1023
- Order no. **580641**

Power-Port floor-standing distributor without door



45 MB 59

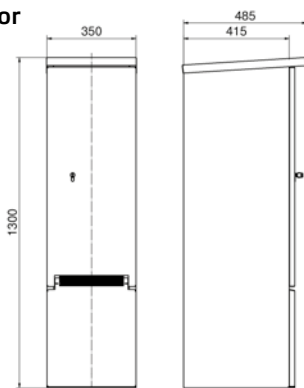


- Housing made of high-quality V2A stainless steel
- Ground metal surface
- Moveable panel for concealing cables
- Base plate suitable for pedestal mounting
- Available in different colours (optional)

Order no. **580589**

Item
103

Power-Port floor-standing distributor with door



45 MB 55



- Housing made of high-quality V2A stainless steel
- Ground metal surface
- Moveable panel for concealing cables
- Base plate suitable for pedestal mounting
- Door with box lock and single profile cylinder, internal hinges
- Brush seal prevents dirt and dust from entering when door is closed
- Outgoing cables can be guided out through brush-sealed opening on front side
- Available in different colours (optional)

Order no. **580508**

Item
104

Protective rain canopy

- Housing made of high-quality V2A stainless steel
- With side panels
- Ground metal surface
- Mounting plate for fitting VARIABOXES
- Available in RAL colours (optional)



Dimensions (mm)	for VARIABOX	Order no.
545x286x328	S, M, L	580511
792x286x328	XL, XXL	580529
662x516x328	L DUO, XL DUO	580521

Item
105



 **Bals**
Simply. Well. Connected.

Bals Elektrotechnik GmbH & Co. KG
D-57399 Kirchhudem-Albaum
Phone: +49 27 23/711-0
Fax: +4927 23/771-177/178
E-mail: info@bals.com
Internet: www.bals.com